

# ZS1P56YMJ (W140)

Please make reference to this book when you plan to purchase the parts. Any difference against the real motorcycle, please do as per the real. To get information concerning a certain component part, first locate, by its shape, the part in the illustration which show its fitting position, then find out the reference number of that part and look it up in the corresponding table where all informatung about the part are provided, such as the name, part number, quantity and/or its fitting relationship with other parts. Any modifications will not be informed ahead of time.

Doc. Title :PARTS-BREAKDOWN CATALOGUE FOR W140 ENGINE

Doc. no (Model code) :W140

Brand Name :ZONGSHEN

Revision Number:

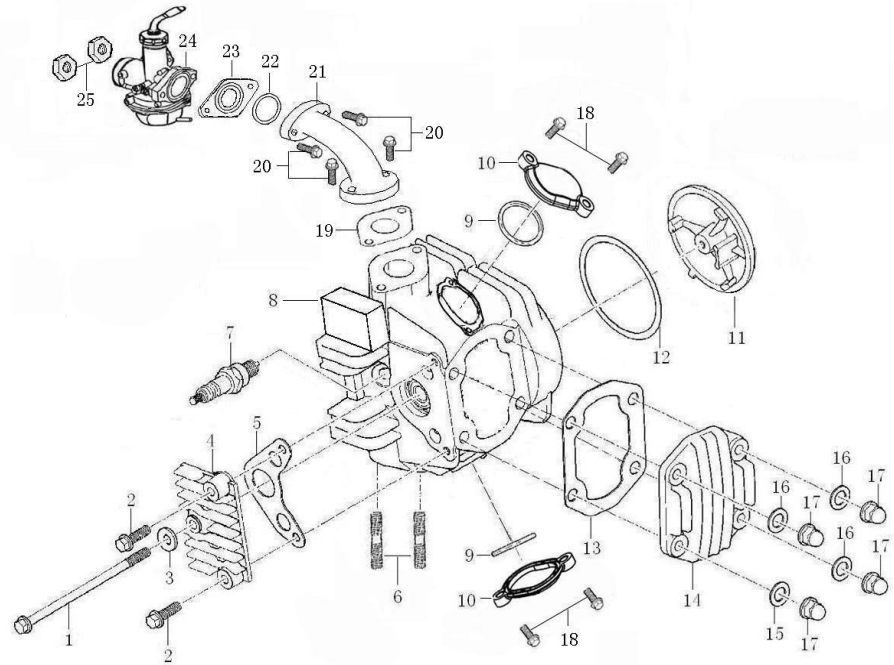
Date of Release:9.21.2009

Page :1 of 16

PAGE	ENGLISH DESCRIPTION
1	CYLINDER HEAD ASSY
2	CYLINDER BLOCK ASSEMBLY
3	VALVE MECHANISM
4	RIGHT CRANKCASE COVER
5	LEFT CRANKCASE COVER
6	OIL COOLER COMP
7	CLUTCH ASSY
8	OIL PUMP
9	LEFT CRANKCASE
10	RIGHT CRANKCASE
11	CRANKSHAFT CONNECTING-ROD ASSY/PISTON
12	TRANSMISSION MAIN, COUNTER SHAFT
13	KICK STARTING SHAFT ASSEMBLY
14	GEARSHIFT MECHANISM
15	MAGNETO COMP
16	ELECTRIC

## CYLINDER HEAD ASSY

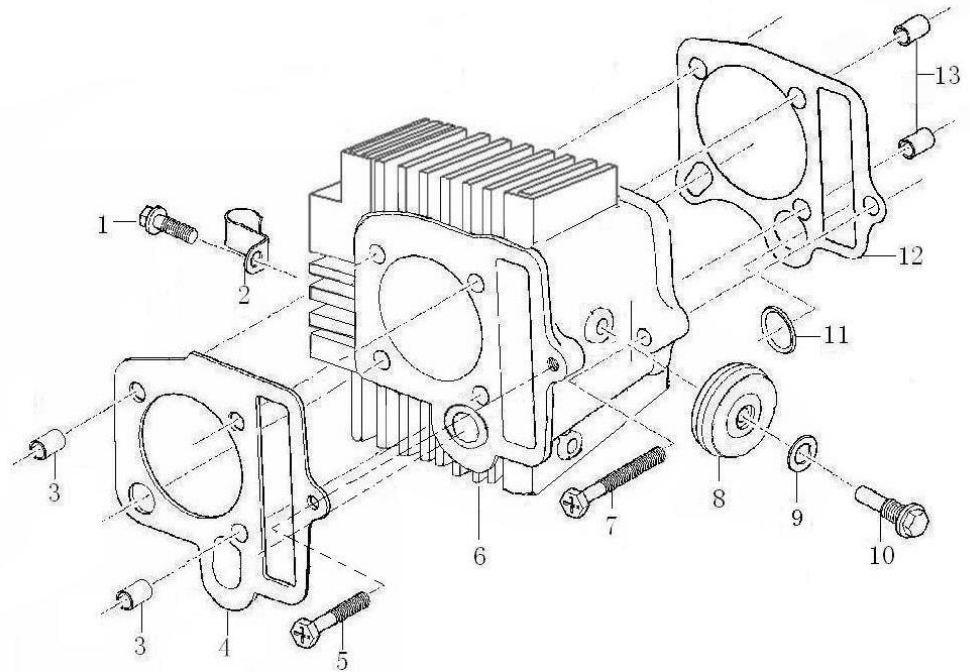
NO.	(PART CODE)	(ENGLISH DESCRIPTION)	QTY	REMARK
1	91192-D002-0000X	BOLT M6×110	1	
2	B16674A006002570X	BOLT M6×25	2	
3	93301-70651012000	WASHER 6.5×1×12	1	
4	11228-H021-02000W	RIGHT COVER, CYLINDER HEAD	1	
5	90203-D002-0000	GASKET, R. CYLINDER HEAD COVER	1	
6	91138-I015-00000X	BOLT M6×32	2	
7	81300-G011-0000	SPARK PLUG	1	
8	1122B-JA16-00000W	CYLINDER HEAD ASSY	1	
9	90101-20296000320	O-RING 29.6×3.2	2	
10	11230-JA16-00000W	COVER, VALVE CHAMBER	2	
11	11227-H021-01000A	LEFT COVER, CYLINDER HEAD	1	
12	90202-H021-0000	GASKET, L. CYLINDER HEAD COVER	1	
13	90201-I096-0000	GASKET, CYLINDER HEAD UPPER COVER	1	
14	11226-I096-01000W	UPPER COVER, CYLINDER HEAD	1	
15	93301-80732514000	WASHER 7.3×2.5×14	1	
16	93301-2073251400B	WASHER 7.3×2.5×14	3	
17	91201-G011-00000X	NUT M7	4	
18	B16674A006001670X	BOLT M6×16	4	
19	15810-I096-0000	GASKET, INLET PIPE	1	
20	B057830006002520X	BOLT M6×25	4	
21	15800-IA29-0048	INLET PIPE	1	
22	90101-10290000240	O-RING 29×2.4	1	
23	90214-I096-0000	GASKET, CARBURETOR	1	
24	17100-0000-0078	CARBURETOR	1	
25	B061700006000060X	NUT 6	2	



气缸头部件  
CYLINDER HEAD ASSY

## CYLINDER ASSEMBLY

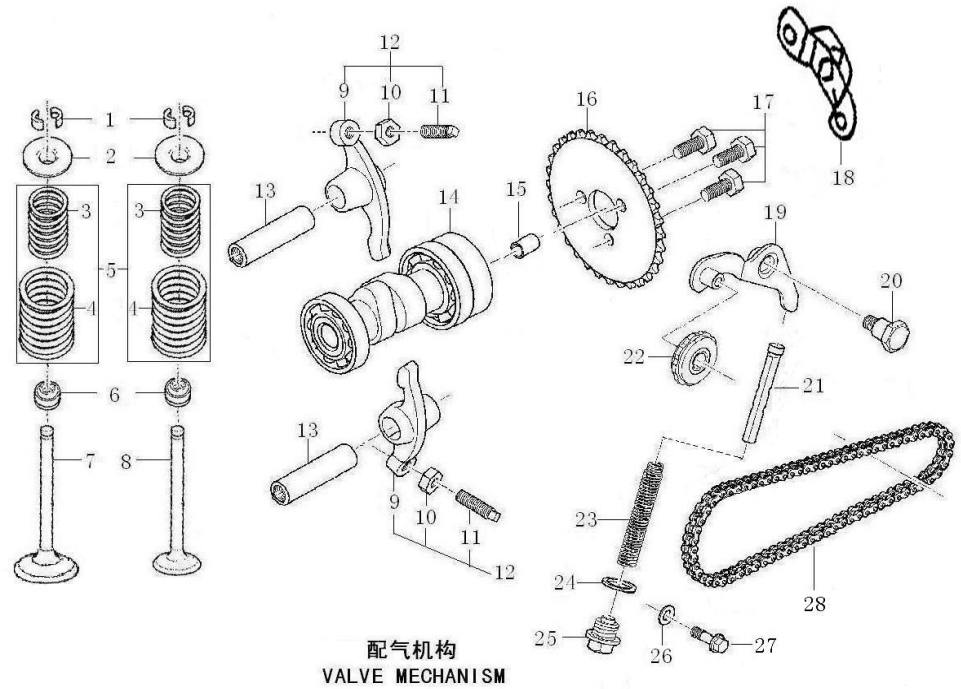
NO.	(PART CODE)	(ENGLISH DESCRIPTION)	QTY	REMARK
1	B16674A006001670X	BOLT M6×16	1	
2	11003-D002-00000X	CLIP, HIGH VOLTAGE WIRE	1	
3	91521-08001400070	PIN 8×14×7	2	
4	9022B-JA16-0000	GASKET ASSY, CYLINDER HEAD	1	
5	91113-D002-00000X	BOLT M6×23	1	
6	1110B-JA16-00000Y	CYLINDER BLOCK ASSEMBLY	1	
7	91113-H021-00000X	BOLT M6×30	1	
8	1533A-HZ30-0100	GUIDE CHAIN ROLLER SET	1	
9	93301-70801514000	WASHER 8.5×1.5×14	1	
10	15302-H021-00000X	GUIDE CHAIN ROLLER PIN	1	
11	90102-D002-0002	RECTANGLE RING 11.5×16×2.5	1	
12	90205-JA16-0000	GASKET, CYLINDER BLOCK	1	
13	91521-08001200070	PIN 8×12×7	2	



气缸体部件  
CYLINDER ASSEMBLY

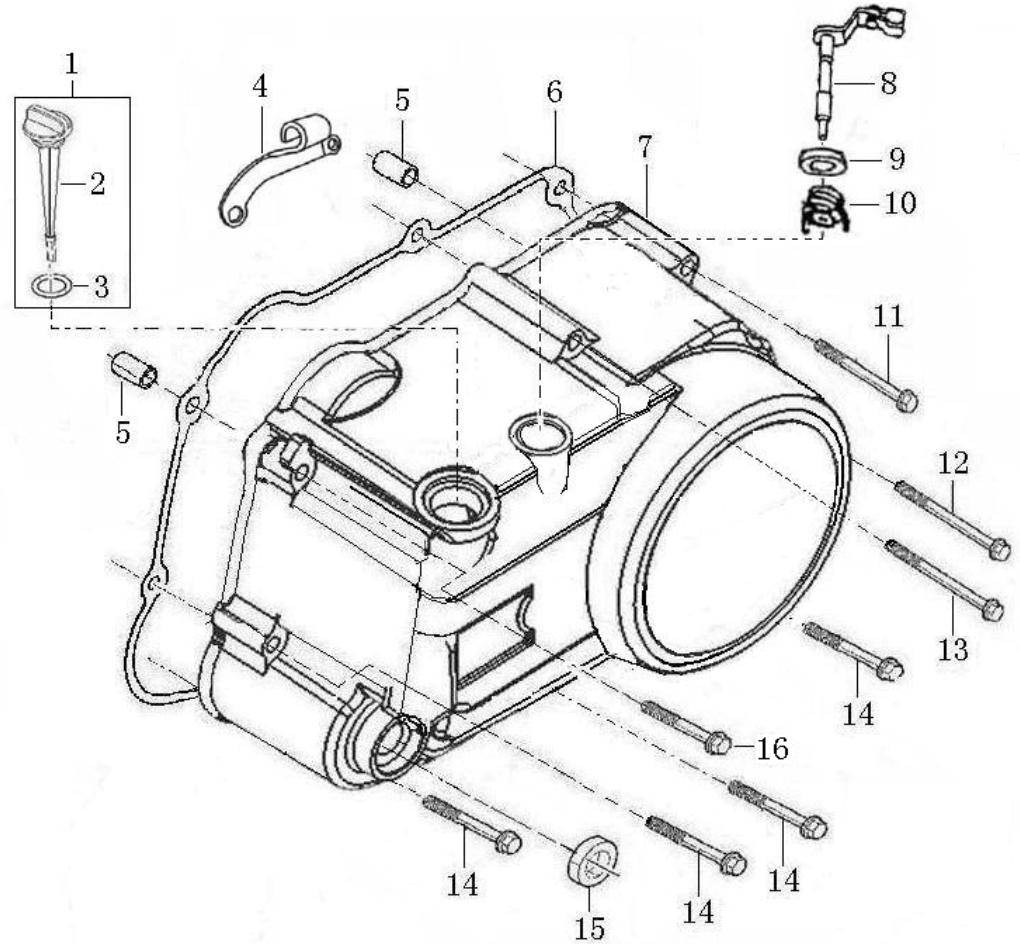
## VALVE MECHANISM

NO.	(PART CODE)	(ENGLISH DESCRIPTION)	QTY	REMARK
1	15707-D002-0000	VALVE COTTER	4	
2	15705-D002-0000	SPRING SEAT	2	
3	15704-JA16-0000	VALVE INNER SPRING	2	
4	15703-JA16-0000	VALVE OUTER SPRING	2	
5	15710-JA16-0000	INNER SPRING, ASSY	2	
6	1572B-D002-0000	SEAL, VALVE STEM	2	
7	15701-I096-0000	INLET VALVE	1	
8	15702-I096-0000	EXHAUST VALVE	1	
9	15401-D002-0000	ROCKER ARM	2	
10	15403-D002-0000	NUT, VALVE CLEARANCE	2	
11	15404-D002-0000	SCREW, VALVE CLEARANCE	2	
12	1540A-D002-0000	ROCKER ARM ASSEMBLY, VALVE	2	
13	15402-D002-0000	ROCKER SHAFT	2	
14	15100-JA16-0000	GAMP SHAFT COMP	1	
15	91521-08001200063	PIN 8×12×6.3	1	
16	15301-JA16-0000	TIMING DRIVEN SPROCKET	1	
17	91191-D002-0000	BOLT M5×12	3	
18	11203-G011-0000	LIMIT PLATE, REDUCTING VALVE	1	
19	1556B-D002-0000	CHAIN ADJUSTING SET	1	
20	15505-D002-0000	AXLE, TENSIONER LEVER	1	
21	1555B-D002-0000	CHAIN TYHT SET	1	
22	1554B-D002-0000	LIFTER ASSY	1	
23	15503-D002-0000	SPRING	1	
24	93301-71401520000	WASHER 14.5×1.5×20	1	
25	91105-D002-00000X	SEALING PLUG M14×1.5	1	
26	93301-70621513000	WASHER 6.2×1.5×13	1	
27	B16674C006001870X	BOLT M6×18	1	
28	1532B-IA25-0000	SPROKET CHAIN	1	



## RIGHT CRANKCASE COVER

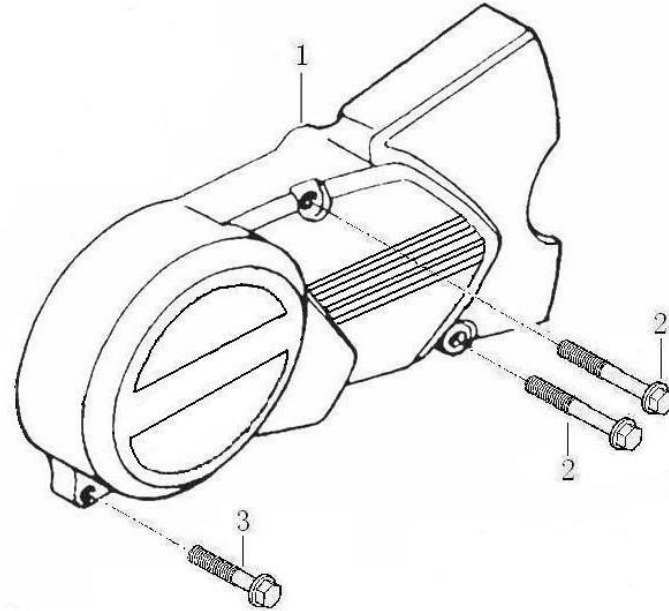
NO.	(PART CODE)	(ENGLISH DESCRIPTION)	QTY	REMARK
1	14301-G011-0000	OIL RULER ASSY	1	
2	14308-G011-0000	OIL DIPSTICK	1	
3	90101-10180000300	O-RING 18×3	1	
4	22422-IZ02-00000X	HOLDER, CLIUTCH CABLE	1	
5	91521-08001200063	PIN 8×12×6.3	2	
6	90206-IZ02-0000	GASKET, R. CRANKCASE COVER	1	
7	12421-JA16-000089	COVER COMP. RIGHT CRANKCASE	1	
8	2242A-MA21-00000X	CONTROLLING ARM ASSEMBLY, CLUTCH	1	
9	90306-I016-0000	OIL SEAL 12×18×5	1	
10	22427-I016-0000	CLUTCH CONTROLLING ARM SPRING	1	
11	B16674A006008070X	BOLT M6×80	1	
12	B16674A006008570X	BOLT M6×85	1	
13	B16674A006005070X	BOLT M6×50	1	
14	B16674A006004070X	BOLT M6×40	4	
15	90304-D002-0000	OIL SEAL 13.8×24×5	1	
16	B16674A006004270X	BOLT M6×42	1	



右曲轴箱盖  
RIGHT CRANKCASE COVER

# LEFT CRANKCASE COVER

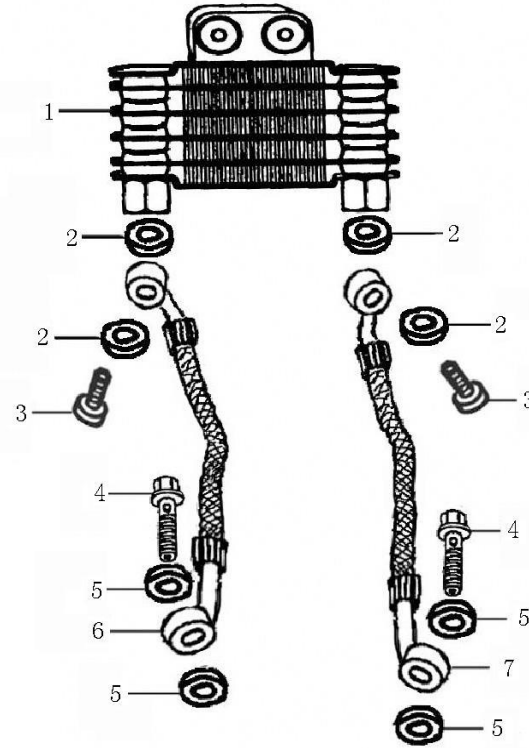
NO.	(PART CODE)	(ENGLISH DESCRIPTION)	QTY	REMARK
1	12306-G007-000089	L. CRANKCASE COVER FRONT PART	1	
2	B16674A006003570X	BOLT M6×35	2	
3	B16674A006002870X	BOLT M6×28	1	



左曲轴箱边盖  
L. CRANKCASE COVER FRONT PART

# OIL COOLER COMP

NO.	(PART CODE)	(ENGLISH DESCRIPTION)	QTY	REMARK
1	19300-1038-0000	OIL COOLER COMP	1	
2	93301-81251419000	WASHER 12.5×1.4×19	4	
3	91107-1038-00010X	BOLT M12×1.25	2	
4	91107-1038-00020X	BOLT M12×1.25	2	
5	93301-81001014000	WASHER 10×1×14	4	
6	19303-JA16-0100	OILPIPE ASSY	1	
7	19303-JA16-0200	OILPIPE ASSY	1	

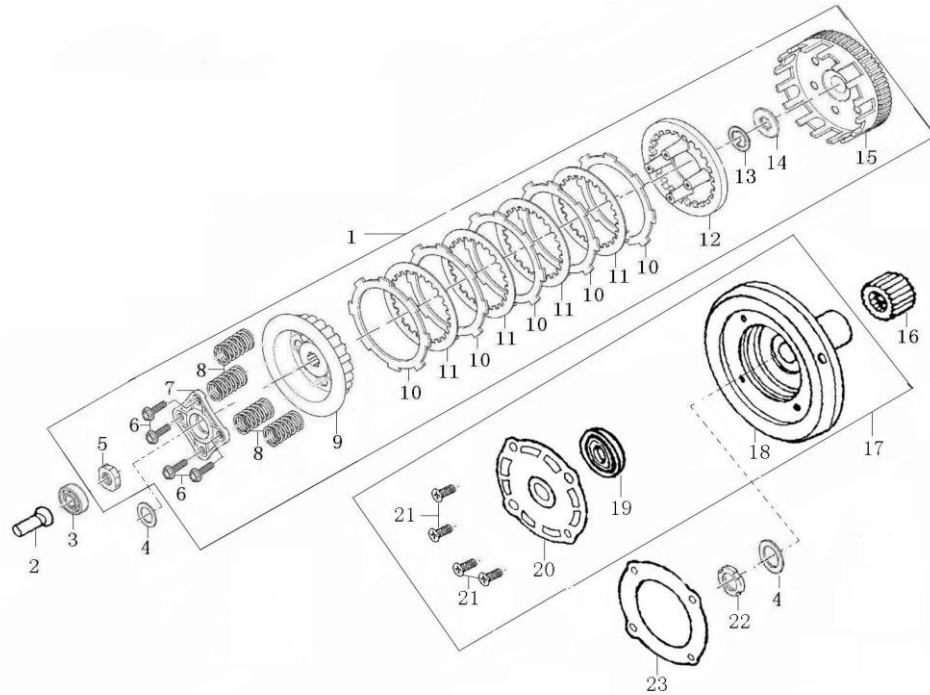


机油散热器组合  
OIL COOLER COMP



# CLUTCH ASSY

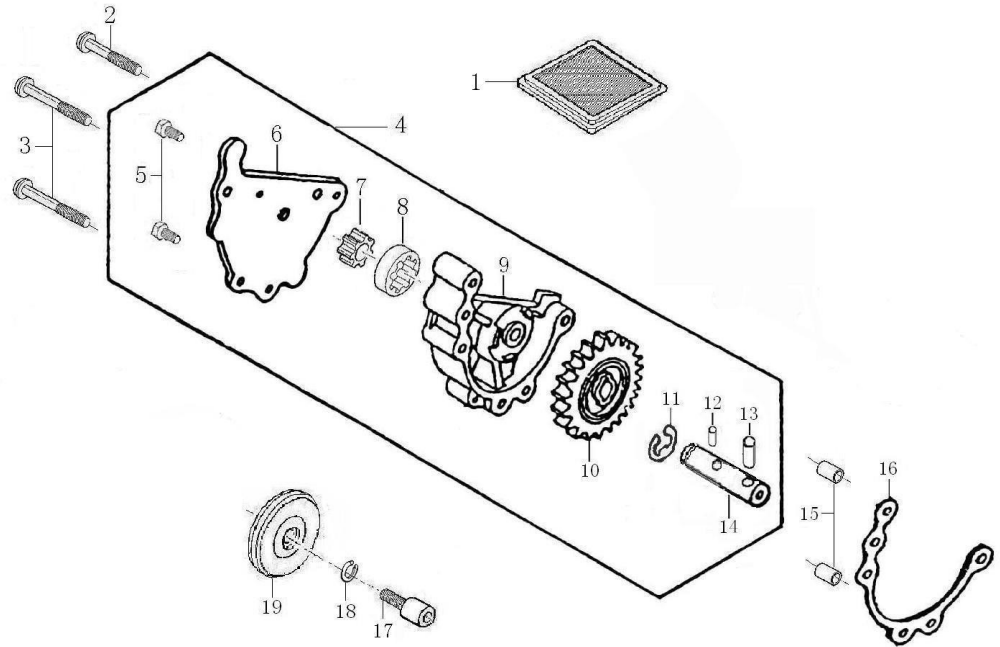
NO.	(PART CODE)	(ENGLISH DESCRIPTION)	QTY	REMARK
1	22000-JA16-0100	CLUTCH ASSY	1	
2	22403-G007-0000	PUSHING ROD, CLUTCH	1	
3	92102-0000006000	BEARING (6000)	1	
4	22004-G011-0000	DISH WASHER, CLUTCH	2	
5	91202-G011-0000	LOCK NUT, CLUTCH	1	
6	B057890006002270B	BOLT M6×22	4	
7	22121-G011-0000	END COVER, CLUTCH	1	
8	22142-JA16-0000	SPRING, CLUTCH	4	
9	22105-JA16-0000	CENTER SLEEVE, CLUTCH	1	
10	22214-I006-0000	DRIVE FRICTION DISK	5	
11	22215-JA16-0000	OUTER FRICTION DISK A	4	
12	22122-JA16-0000	PRESSURE PLATE, CLUTCH	1	
13	22103-G011-0000	FIXING RING, CLUTCH	1	
14	22002-G011-0000	WASHER	1	
15	22150-1Z02-0000	OUT CASE ASSEMBLY, CLUTCH	1	
16	23101-G007-0000	PRIMARY DRIVE GEAR	1	
17	14200-JA16-0100	OIL FILTER, COMP	1	
18	14203-JA16-0100	ROTOR ASS. OF OIL FILTER	1	
19	90337-G007-0000	OIL SEAL 6×25×6	1	
20	14207-G007-0000	OIL FILTER COVER	1	
21	B008190105001220B	SCREW M5×12	4	
22	91208-G011-0000	LOCK NUT, PRIMARY CLUTCH	1	
23	90209-G007-0000	GASKET, OIL FILTER	1	



离合器总成  
CLUTCH ASSY

# OIL PUMP

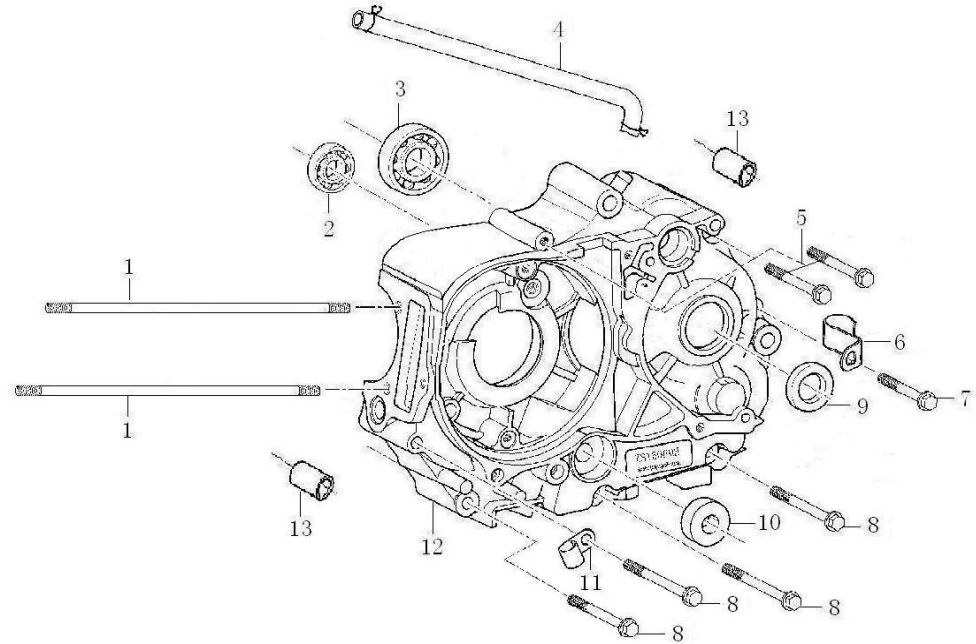
NO.	(PART CODE)	(ENGLISH DESCRIPTION)	QTY	REMARK
1	1431B-D002-0000	STRAINER, OIL FILTER	1	
2	B008230006003520X	SCREW M6×35	1	
3	B008230006004020X	SCREW M6×40	2	
4	14100-JA16-0000	OIL PUMP ASSY	1	
5	B057830005001220B	BOLT M5×12	2	
6	14108-JA16-0000	OIL PUMP COVER	1	
7	14111-JA16-0000	INNER ROTOR, OIL PUMP	1	
8	14112-JA16-0000	OUTER ROTOR, OIL PUMP	1	
9	14110-JA16-0000	OIL PUMP BODY	1	
10	1410B-JA16-0000	OIL PUMP GEAR ASS.	1	
11	B0089600050000000	CIRCLIP 5	1	
12	B0011902025100000	PIN 2.5×10	1	
13	B0011902030160000	PIN 3×16	1	
14	14107-JA16-0000	SHAFT, OIL PUMP	1	
15	91521-08001200063	PIN 8×12×6.3	2	
16	90210-HZ31-0000	GASKET, OIL PUMP	1	
17	91188-HZ31-0000	SCREW	1	
18	B0009300060000000B	WASHER φ6	1	
19	1432B-HZ31-0000	HUB DUMP CHAIN SPROCKET, OIL PUMP	1	



机油泵部件  
OIL PUMP

# LEFT CRANKCASE

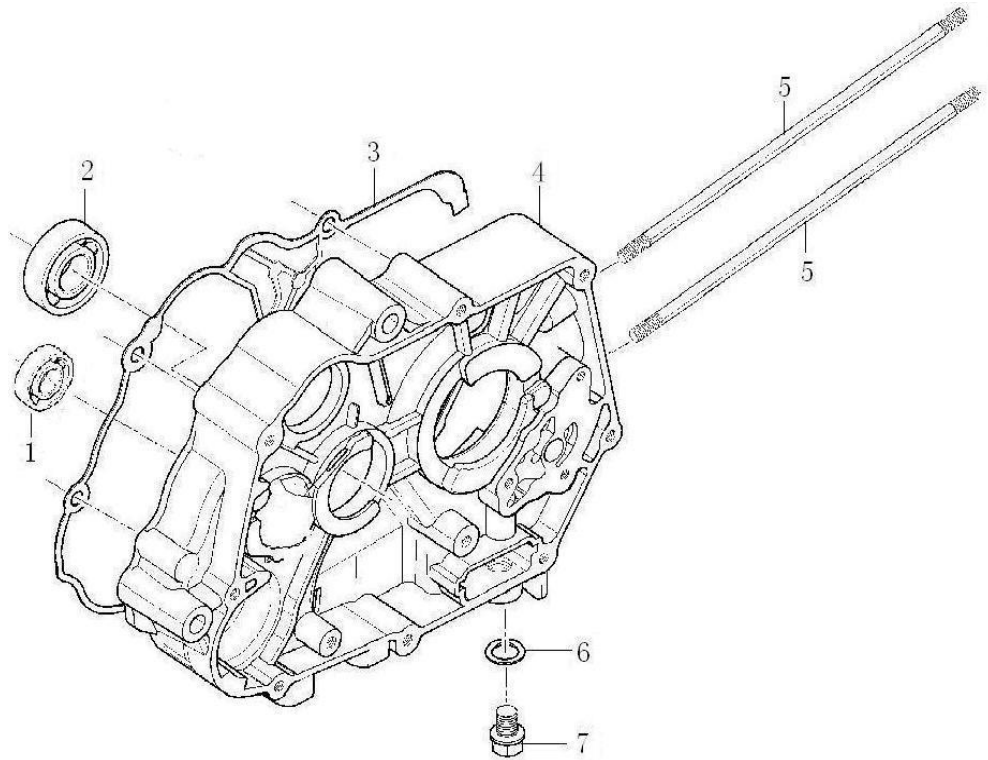
NO.	(PART CODE)	(ENGLISH DESCRIPTION)	QTY	REMARK
1	91101-JA16-0000	CYLINDER STUD BOLT A	2	
2	92102-0000006001	BEARING (6001)	1	
3	92102-0000006203	BEARING (6203)	1	
4	12130-G011-0102	PIPE ASSY	1	
5	B16674A006006070X	BOLT M6×60	2	
6	11003-D002-00000X	CLIP, HIGH VOLTAGE WIRE	1	
7	B16674A006004570X	BOLT M6×45	1	
8	B16674A006006570X	BOLT M6×65	4	
9	90303-D002-0000	OIL SEAL 17×29×5	1	
10	90301-D002-0000	OIL-SEAL 11.6×24×10	1	
11	12108-D002-00000X	CLIP, OVERFLOW PIPE	1	
12	1212B-IZ02-000089	LEFT CRANKCASE BLOCK	1	
13	91521-10001400000	PIN 10×14	2	



左曲轴箱  
LEFT CRANKCASE

# RIGHT CRANKCASE

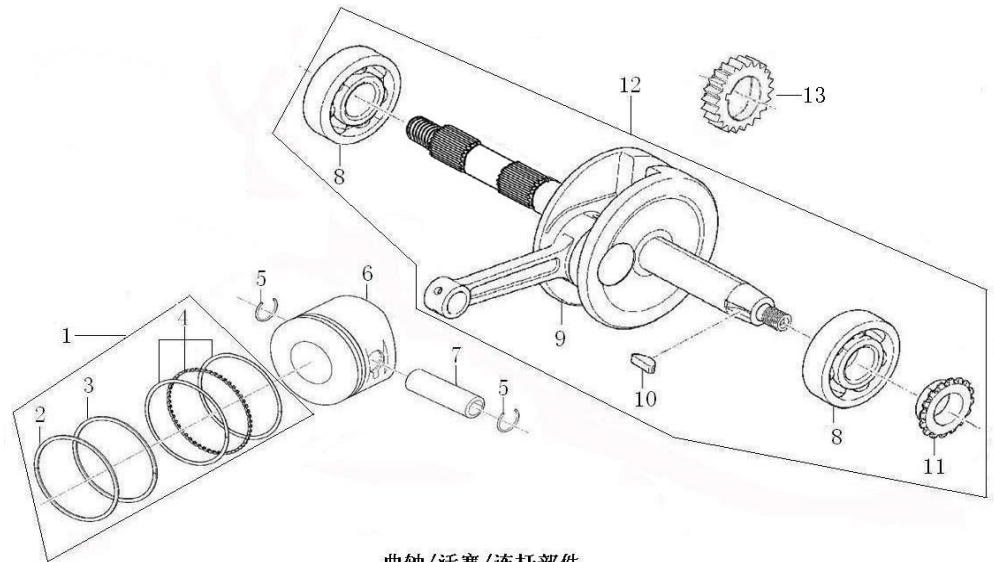
NO.	(PART CODE)	(ENGLISH DESCRIPTION)	QTY	REMARK
1	92102-0000006202	BEARING (6202)	1	
2	92102-0000006203	BEARING (6203)	1	
3	90208-1Z02-0000	GASKET, CRANKCASE	1	
4	1222B-JA16-000089	RIGHT CRANKCASE BLOCK	1	
5	91102-JA16-0000	CYLINDER STUD BOLT B	2	
6	93301-71242020000	WASHER 12.4×2×20	1	
7	91103-1008-00000X	OIL DRAIN PLUG	1	



右曲轴箱  
RIGHT CRANKCASE

# CRANKSHAFT CONNECTING-ROD ASSY/PISTON

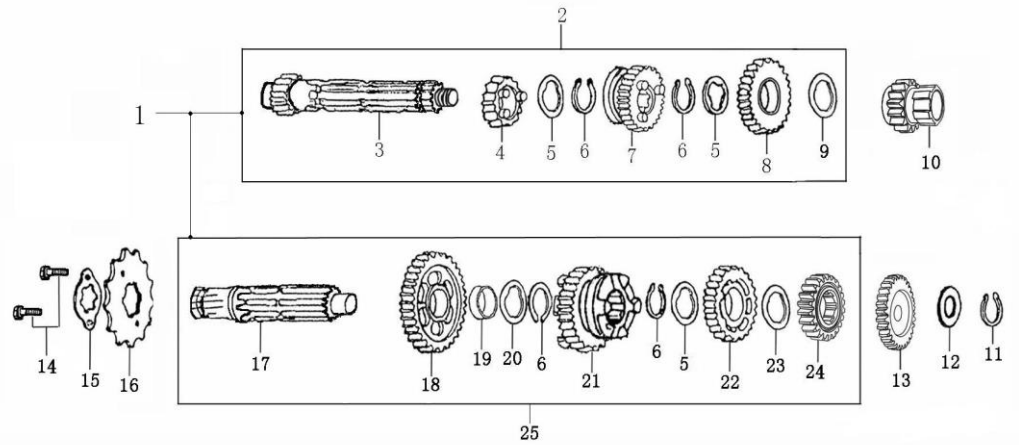
NO.	(PART CODE)	(ENGLISH DESCRIPTION)	QTY	REMARK
1	1310A-JA16-0000	PISTON RING COMP	1	
2	13103-JA16-0000	PISTON RING 1	1	
3	13104-JA16-0000	PISTON RING 2	1	
4	13120-JA16-0000	OIL RING ASSY	1	
5	91401-D002-0000	CHECK RING, PISTON PIN	2	
6	13101-JA16-0000	PISTON	1	
7	13102-D002-0000	PIN PISTON	1	
8	92102-00000522215	BEARING (52×22×15)	2	
9	13220-JA16-0001	CONNECTING ROD COMP 3	1	
10	91601-D002-0000	SEMICIRCULAR KEY	1	
11	13222-JA16-0000	HUB DUMP CHAIN SPROCKET	1	
12	1320B-JA16-0004	CRANKSHAFT CONNECTING-ROD ASSY	1	
13	14101-IZ02-0000	DRIVE GEAR, OIL PUMP	1	



曲轴/活塞/连杆部件  
CRANKSHAFT/PISTON/CONNECTING ROD COMP

# TRANSMISSION MAIN, COUNTER SHAFT

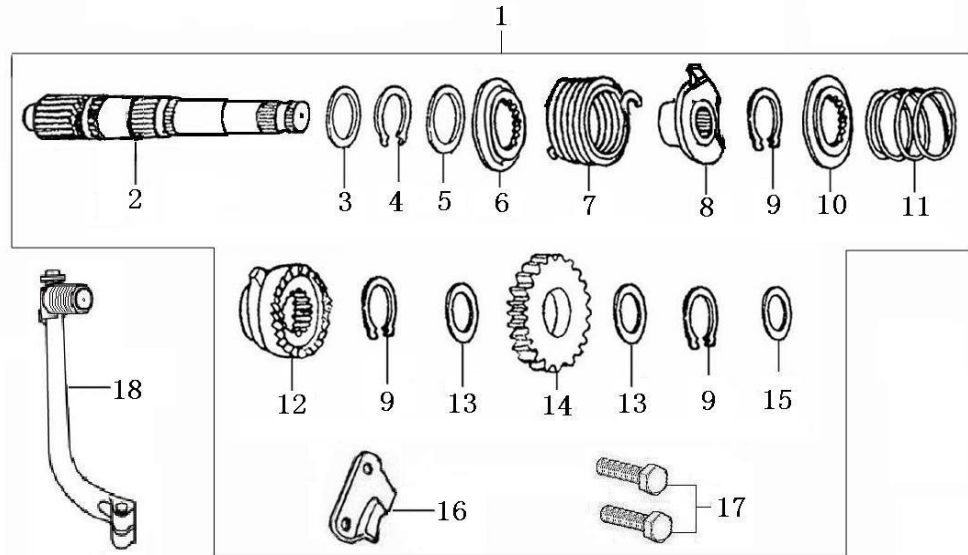
NO.	(PART CODE)	(ENGLISH DESCRIPTION)	QTY	REMARK
1	23200-JA16-0000	TRANSMISSION MAIN, COUNTER SHAFT	1	
2	23220-JA16-0000	MAIN SHAFT, TRANSMISSION	1	
3	23221-JA16-0000	TRANSMISSION MAIN SHAFT	1	
4	23222-JA16-0002	GEAR M-2	1	
5	23223-D002-0000	WASHER	3	
6	23226-D002-0000	CIRCLIP	4	
7	23222-JA16-0003	GEAR M-3	1	
8	23222-JA16-0004	GEAR M-4	1	
9	93301-61710526000	WASHER 17.2×1.0×24	1	
10	23233-JA16-0000	STARTING GEAR	1	
11	B0089401150000000	CIRCLIP 15	1	
12	93301-5152052300C	WASHER 15.2×0.5×23	1	
13	23248-JA16-0000	GEAR	1	
14	B057830006001020X	BOLT M6×10	2	
15	23402-D002-0000	FIXING PLATE, DRIVE SPROCKET	1	
16	23401-G011-0000	DRIVE SPROCKET	1	
17	23241-JA16-0000	TRANSMISSION COUNTER SHAFT	1	
18	23242-D002-0001	GEAR C-1	1	
19	23247-D002-0000	COLLAR	1	
20	23223-D002-0002	WASHER	1	
21	23242-D002-0002	GEAR C-2	1	
22	23242-JA16-0003	GEAR C-3	1	
23	93301-51721026000	WASHER 17.2×1.0×26	1	
24	23242-JA16-0004	GEAR C-4	1	
25	23240-JA16-0000	COUTERSHAFT TRANSMISSION	1	



主副轴组合  
TRANSMISSION MAIN, COUNTER SHAFT

# KICK STARTING SHAFT ASSEMBLY

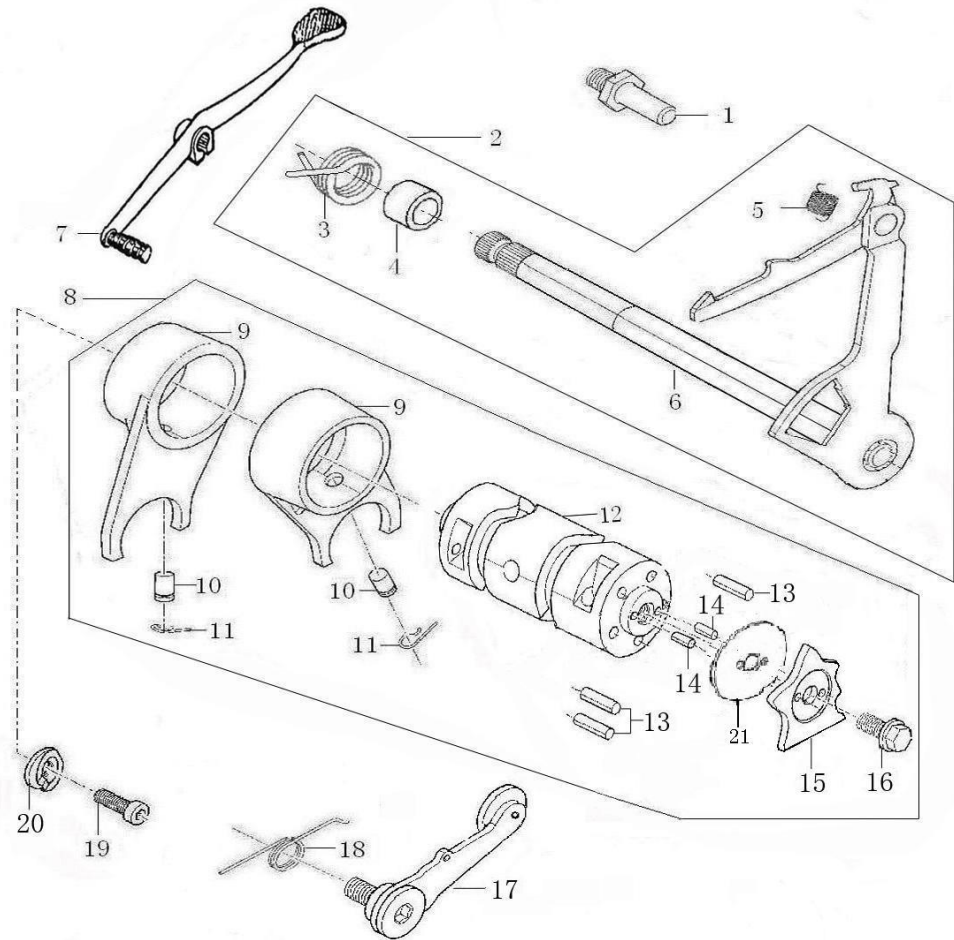
NO.	(PART CODE)	(ENGLISH DESCRIPTION)	QTY	REMARK
1	21100-JA16-0000	KICK STARTING SHAFT ASSEMBLY	1	
2	21107-IZ02-0000	PIVOT, KICK STARTING SHAFT	1	
3	93301-61410522000	WASHER 14.1×0.5×22	1	
4	91402-D002-0000	CIRCLI φ15.5×1.2×φ19	1	
5	93301-61721024000	WASHER 17.2×1.0×24	1	
6	21104-IZ02-0000	SEAT, SPRING, KICK STARTING SHAFT	1	
7	21106-IZ02-0000	RETURN SPRING, KICK STARTING SHAFT	1	
8	21104-D002-0000	SEAT, SPRING, KICK STARTING SHAFT	1	
9	91402-D002-0100	CIRCLI φ18.5×1.2×φ22.1	3	
10	21122-D002-0000	SPRING SUPPORT	1	
11	21119-D002-0000	SPRING, KICK STARTING RATCHET WHEEL	1	
12	21118-IZ02-0000	STARTING RATCHET	1	
13	93301-62011027000	WASHER 20.1×1×27	2	
14	21117-JA16-0000	GEAR, KICK STARTER	1	
15	93301-61411022000	WASHER 14.1×1×22	1	
16	21123-IZ02-0000	GUIDE PLATE	1	
17	B057830006001820B	BOLT M6×18	2	
18	21200-F004-0002	START-UP BAR COMP	1	



启动轴总成  
KICK STARTING SHAFT ASSEMBLY

# GEARSHIFT MECHANISM

NO.	(PART CODE)	(ENGLISH DESCRIPTION)	QTY	REMARK
1	91117-D002-0000	BOLT, RETURN SPRING FIXING 8×11	1	
2	24300-D002-0102	GEARSHIFT LEVER COMP	1	
3	24302-D002-0000	RETURN SPRING	1	
4	24320-D002-0000	SLEEVE OF GEARSHIFT LEVER COMP	1	
5	24318-D002-0000	GEARSHIFT LEVER TENSION SPRING	1	
6	24301-D002-0101	GEARSHIFT SHAFT COMP	1	
7	24400-G007-0002	GEARSHIFT SHAFT	1	
8	24200-JA16-0100	GEARSHIFT DRUM COMP	1	
9	24101-D002-0000	GEARSHIFT FORK	2	
10	24102-D002-0000	GUIDE PIN	2	
11	24103-D002-0000	CLIP, SPRING	2	
12	24213-D002-0400	GEARSHIFT DRUM	1	
13	91522-04001300000	PIN 4×13	3	
14	91522-03000900000	PIN 3×9	2	
15	24202-JA16-0000	STOPPING PLATE	1	
16	B16674A006001670B	BOLT M6×16	1	
17	2434A-IZ02-0000	LOCATING PLATE ASSY	1	
18	24304-G011-0010	SPRING, LOCATING PLATE	1	
19	91149-G011-01000C	SCREW	1	
20	88004-G011-0000	CONTACT, GEAR INDICATION	1	
21	24216-G007-0000	PRESS PLATE OF GEARSHIFT DRUM	1	

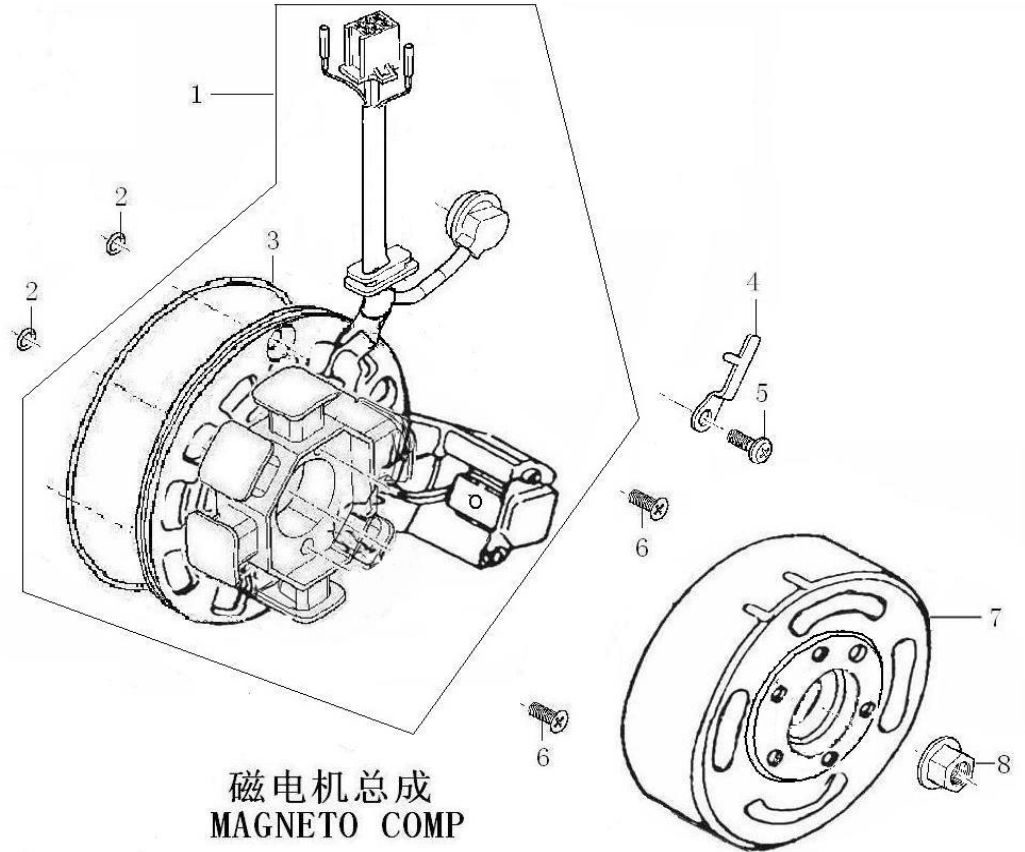


变速机构  
GEARSHIFT MECHANISM



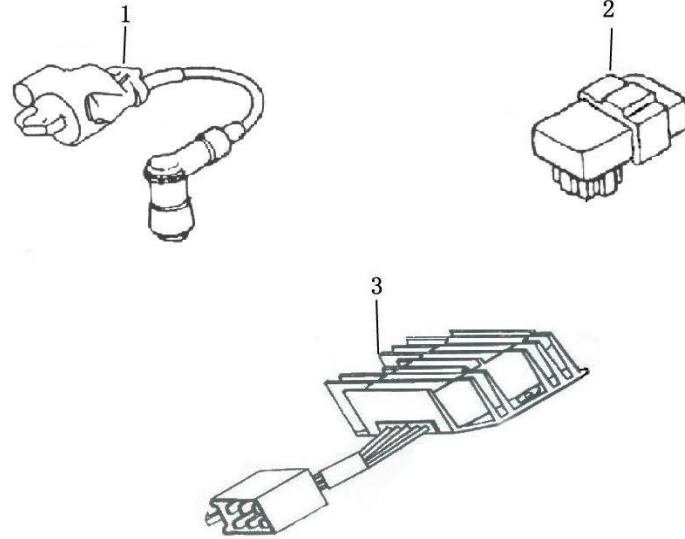
# MAGNETO COMP

NO.	(PART CODE)	(ENGLISH DESCRIPTION)	QTY	REMARK
1	82120-JA16-00045	STATOR ASSY, MAGNETO	1	
2	90101-50065000180	O-RING 6.5×1.8	2	
3	90101-51068000200	O-RING 106.8×2	1	
4	88002-G011-0001	GEARSHIFT SWITCH PRESSING PLATE	1	
5	B008230006001220X	SCREW M6×12	1	
6	B008190106001620X	SCREW M6×16	2	
7	82130-JA16-0000	ROTOR ASSY, MAGNETO	1	
8	91213-D002-00010X	NUT	1	



# ELECTRIC

NO.	(PART CODE)	(ENGLISH DESCRIPTION)	QTY	REMARK
1	81100-I008-000050	IGNITION COIL	1	
2	81200-G011-0000	C. D. I	1	
3	83100-I049-0020	RECTIFIER	1	



电器件  
ELECTRIC