

ZS154FMI-2 (S125-S)

Please make reference to this book when you plan to purchase the parts. Any difference against the real motorcycle, please do as per the real. To get information concerning a certain component part, first locate, by its shape, the part in the illustration which show its fitting position, then find out the reference number of that part and look it up in the corresponding table where all informatung about the part are provided, such as the name, part number, quantity and/or its fitting relationship with other parts. Any modifications will not be informed ahead of time.

Doc. Title :PARTS-BREAKDOWN CATALOGUE FOR S125-S ENGINE

Doc. no (Model code) :S125-S

Brand Name :ZONGSHEN

Revision Number:

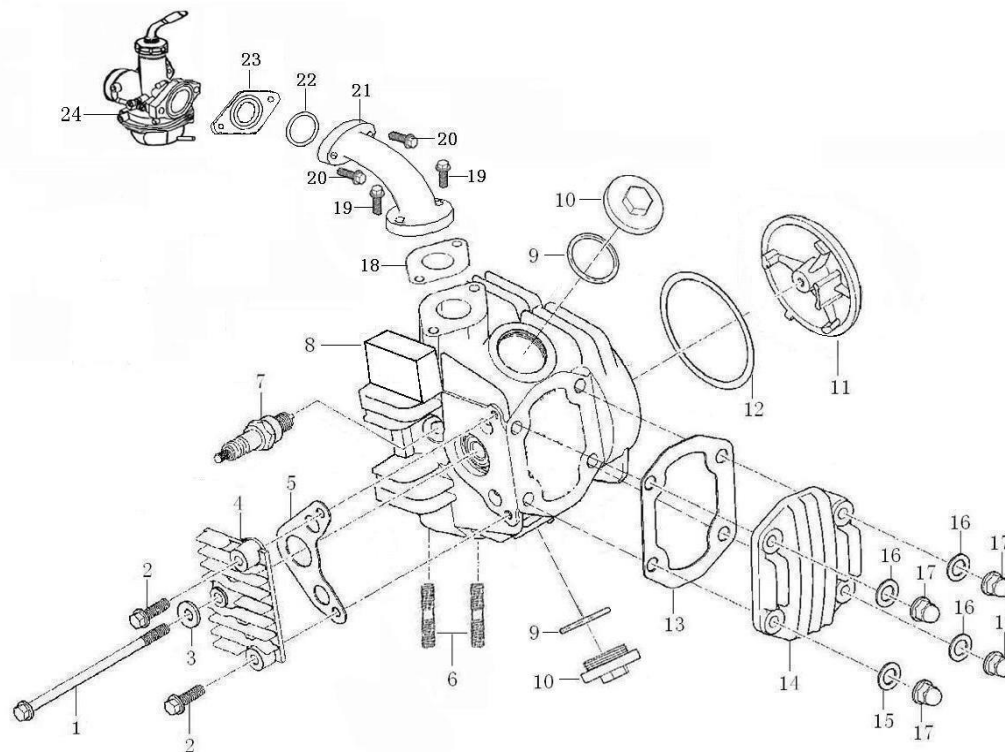
Date of Release:10.10.2010

Page :1 of 16

PAGE	ENGLISH DESCRIPTION
1	CYLINDER HEAD ASSY
2	CYLINDER ASSEMBLY
3	VALVE MECHANISM
4	RIGHT CRANKCASE COVER
5	L. CRANKCASE COVER FRONT PART
6	CLUTCH ASSY
7	OIL PUMP
8	LEFT CRANKCASE
9	RIGHT CRANKCASE
10	CRANKSHAFT CONNECTING-ROD ASSY/PISTON
11	TRANSMISSION MAIN, COUNTER SHAFT
12	KICK STARTING SHAFT ASSEMBLY
13	GEARSHIFT MECHANISM
14	MAGNETO COMP
15	ELECTRIC
16	EXHAUST GAS RECIRCULATION SYSTEM

CYLINDER HEAD ASSY

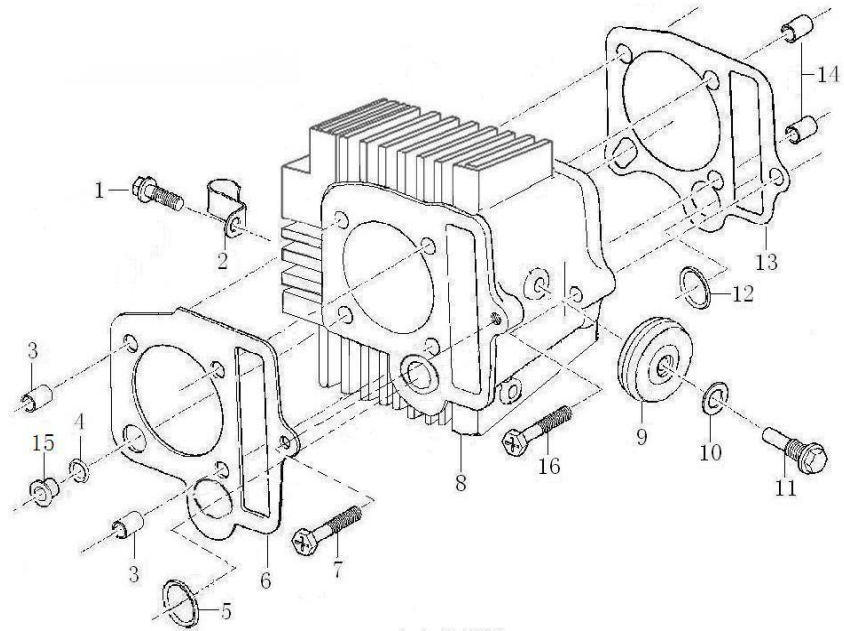
NO.	(PART CODE)	(ENGLISH DESCRIPTION)	QTY	REMARK
1	91192-D002-00000X	BOLT M6×110	1	
2	B16674A006002570X	BOLT M6×25	2	
3	93301-70651012000	WASHER 6.5×1×12	1	
4	11228-H021-02000W	RIGHT COVER, CYLINDER HEAD	1	
5	90203-D002-0000	GASKET, R. CYLINDER HEAD COVER	1	
6	91138-I015-00000X	BOLT M6×32	2	
7	81300-G011-0000	SPARK PLUG	1	
8	1122B-1A25-08000W	CYLINDER HEAD ASSY	1	
9	90101-20296000320	O-RING 29.6×3.2	2	
10	11230-D002-00000W	COVER, VALVE CHAMBER	2	
11	11227-H021-01000A	LEFT COVER, CYLINDER HEAD	1	
12	90202-H021-0000	GASKET, L. CYLINDER HEAD COVER	1	
13	90201-I096-0000	GASKET, CYLINDER HEAD UPPER COVER	1	
14	11226-I096-01000W	UPPER COVER, CYLINDER HEAD	1	
15	93301-80732514000	WASHER 7.3×2.5×14	1	
16	93301-2073251400B	WASHER 7.3×2.5×14	3	
17	91201-G011-00000X	NUT M7	4	
18	15810-I096-0000	GASKET, INLET PIPE	1	
19	B057830006002020X	BOLT M6×20	2	
20	B057830006002820X	BOLT M6×28	2	
21	15800-I096-1800	INLET PIPE	1	
22	90101-10290000240	O-RING 29×2.4	1	
23	90214-I096-0000	GASKET, CARBURETOR	1	
24	17100-0000-0021	CARBURETOR	1	



气缸头部件
CYLINDER HEAD ASSY

CYLINDER ASSEMBLY

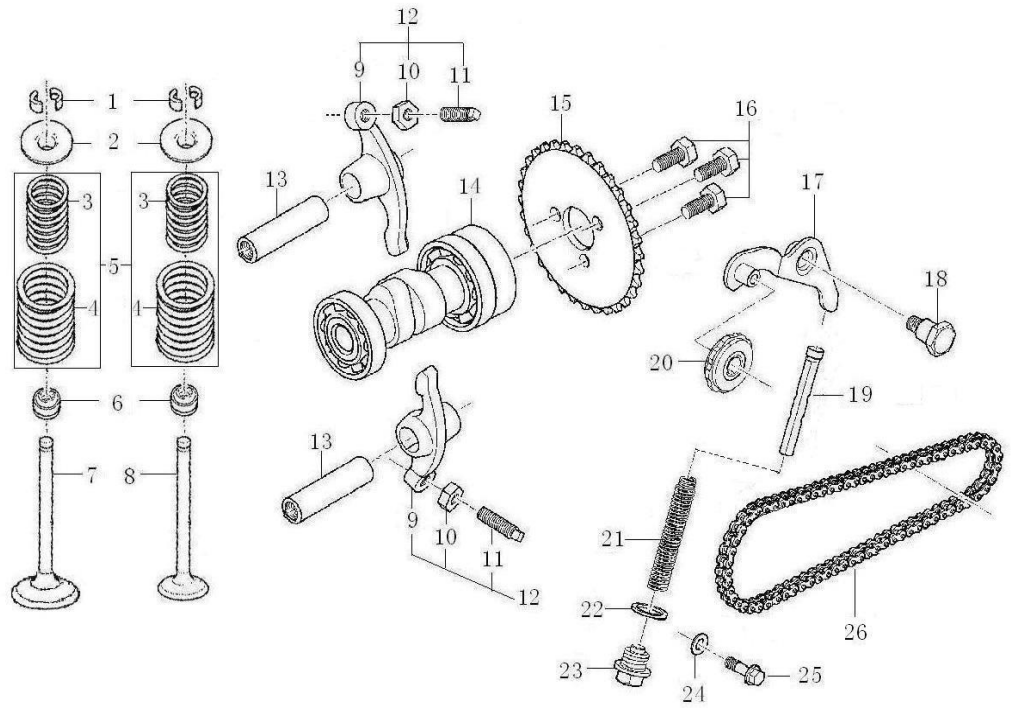
NO.	(PART CODE)	(ENGLISH DESCRIPTION)	QTY	REMARK
1	B16674A006001670X	BOLT M6×16	1	
2	11003-D002-00000X	CLIP, HIGH VOLTAGE WIRE	1	
3	91521-08001400070	PIN 8×14×7	2	
4	90102-D002-0001	RECTANGLE RING 8×10.8×1.5	1	
5	90102-D002-0003	RECTANGLE RING 14×18.2×2.5	1	
6	9022B-IA25-0000	GASKET ASSY, CYLINDER HEAD	1	
7	91113-D002-00000X	BOLT M6×23	1	
8	1110B-IZ10-00000Y	CYLINDER BLOCK ASSEMBLY	1	
9	1533A-HZ30-0100	GUIDE CHAIN ROLLER SET	1	
10	93301-70801514000	WASHER 8.5×1.5×14	1	
11	15302-H021-00000X	GUIDE CHAIN ROLLER PIN	1	
12	90102-D002-0002	RECTANGLE RING 11.5×16×2.5	1	
13	90205-1096-0000	GASKET, CYLINDER BLOCK	1	
14	91521-08001200070	PIN 8×12×7	2	
15	11235-D002-0000	BUSH 9.5	1	
16	91113-H021-00000X	BOLT M6×30	1	



气缸体部件
CYLINDER ASSEMBLY

VALVE MECHANISM

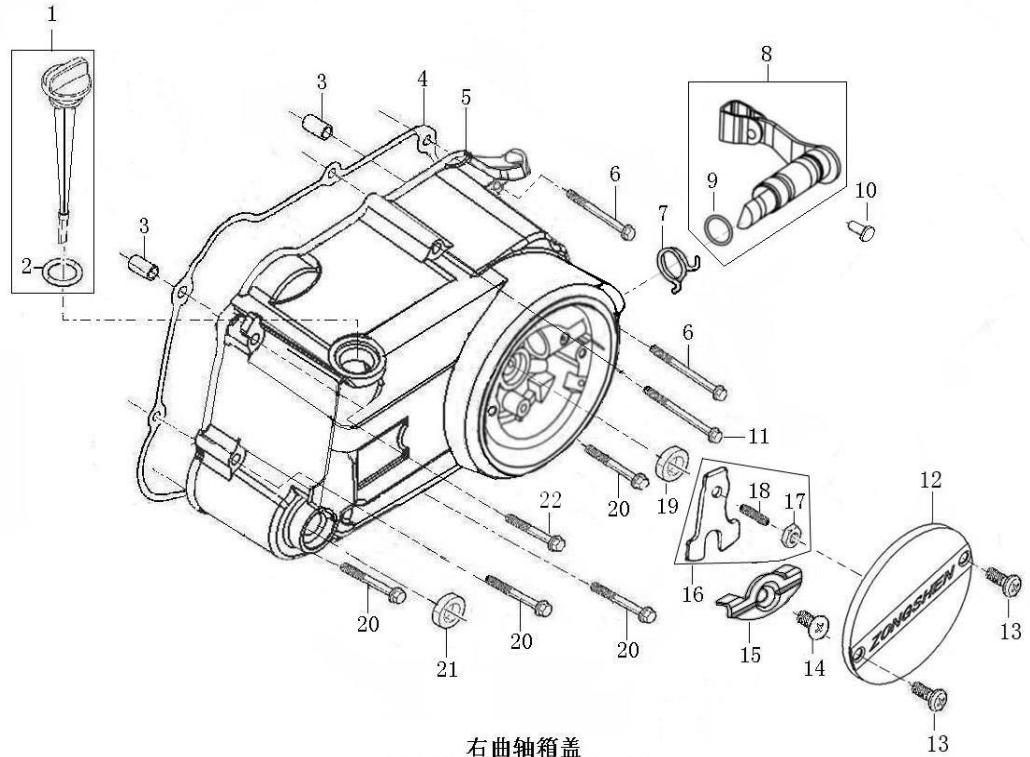
NO.	(PART CODE)	(ENGLISH DESCRIPTION)	QTY	REMARK
1	15707-D002-0000	VALVE LOCKER	4	
2	15705-D002-0000	SPRING SEAT	2	
3	15704-D002-0200	VALVE INNER SPRING	2	
4	15703-D002-0000	VALVE OUTER SPRING	2	
5	15710-D002-0200	INNER SPRING, ASSY	2	
6	1572B-D002-0000	SEAL, VALVE STEM	2	
7	15701-I096-0000	INTAKE VALVE	1	
8	15702-I096-0000	EXHAUST VALVE	1	
9	15401-D002-0000	ROCKER ARM	2	
10	15403-D002-0000	NUT, VALVE CLEARANCE	2	
11	15404-D002-0000	SCREW, VALVE CLEARANCE	2	
12	1540A-D002-0000	ROCKER ARM ASSEMBLY, VALVE	2	
13	15402-D002-0000	ROCKER SHAFT	2	
14	15100-I096-0001	GAMP SHAFT COMP	1	
15	15301-H021-0000	TIMING DRIVEN SPROCKET	1	
16	91191-D002-0000	BOLT M5×12	3	
17	1556B-D002-0000	CHAIN ADJUSTING SET	1	
18	15505-D002-0000	AXLE, TENSIONER LEVER	1	
19	1555B-D002-0000	CHAIN TYHT SET	1	
20	1554B-D002-0000	PLUG OF TIGHTENER	1	
21	15503-D002-0000	SPRING	1	
22	93301-71401520000	WASHER 14.5×1.5×20	1	
23	91105-D002-00000X	SEALING PLUG M14×1.5	1	
24	93301-70621513000	WASHER 6.2×1.5×13	1	
25	B16674C006001870X	BOLT M6×18	1	
26	1532B-IA25-0000	SPROKET CHAIN	1	



配气机构
VALVE MECHANISM

RIGHT CRANKCASE COVER

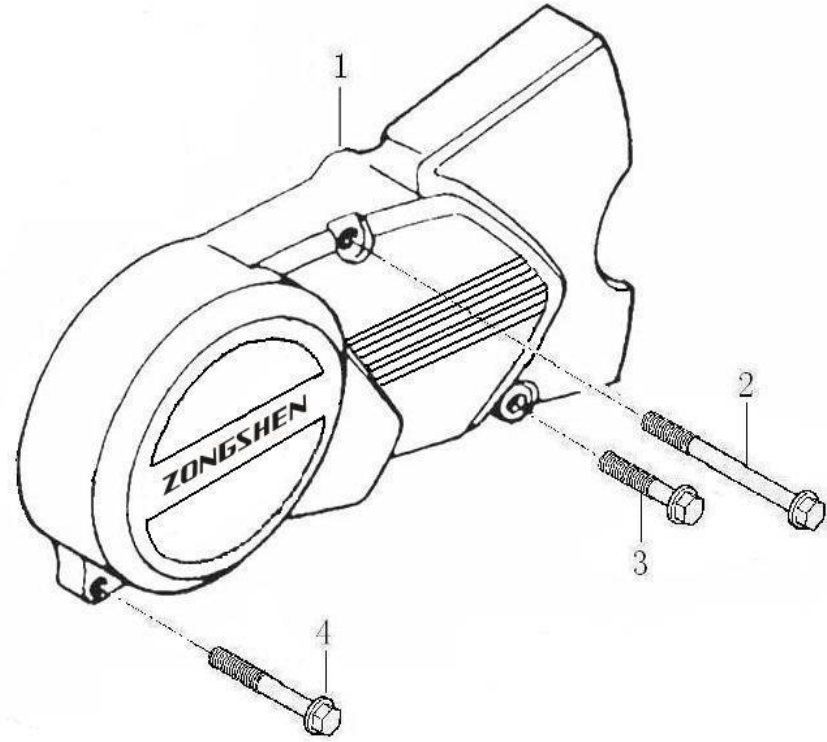
NO.	(PART CODE)	(ENGLISH DESCRIPTION)	QTY	REMARK
1	14301-G011-0000	OIL RULER ASSY	1	
2	90101-10180000300	O-RING 18×3	1	
3	91521-08001200063	PIN 8×12×6.3	2	
4	90206-1096-0000	GASKET, R. CRANKCASE COVER	1	
5	12421-F004-000089	COVER COMP. RIGHT CRANKCASE	1	
6	B16674A006008070X	BOLT M6×80	2	
7	22427-D002-00000X	CLUTCH CONTROLLING ARM SPRING	1	
8	2242A-G001-00000X	CONTROLLING ARM ASSEMBLY, CLUTCH	1	
9	90101-10140000150	O-RING 14×1.5	1	
10	91523-D002-0000	CLUTCH LEVER PIN	1	
11	B16674A006006570X	BOLT M6×65	1	
12	12425-G001-000189	DECORATE COVER, R. CRANKCASE COVER	1	
13	B008200006001620X	SCREW M6×16	2	
14	B008190106001220X	SCREW M6×12	1	
15	22447-D002-0000	CLUTCH PRESSURE CLIP	1	
16	22446-D002-0000	CLUTCH SHIFTING PLATE	1	
17	B061700006000060B	NUT M6	1	
18	91112-D002-0000	SCREW M6×15	1	
19	90306-D002-0000	OIL-SEAL 12×21×4	1	
20	B16674A006004070X	BOLT M6×40	4	
21	90304-D002-0000	OIL SEAL 13.8×24×5	1	
22	B16674A006004270X	BOLT M6×42	1	



右曲轴箱盖
RIGHT CRANKCASE COVER

L. CRANKCASE COVER FRONT PART

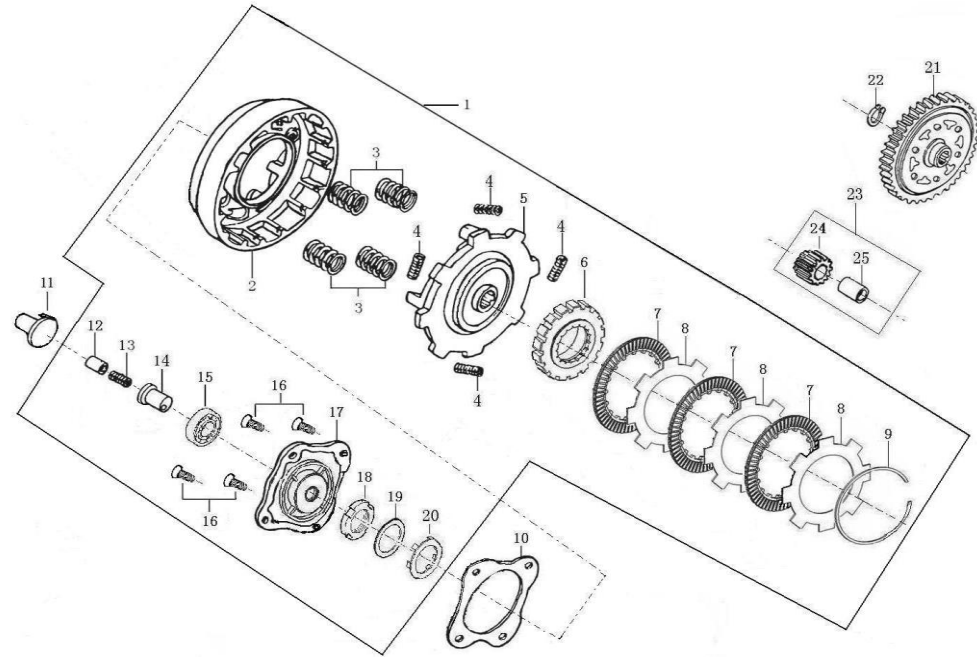
NO.	(PART CODE)	(ENGLISH DESCRIPTION)	QTY	REMARK
1	12306-F004-020189	L. CRANKCASE COVER FRONT PART	1	
2	B16674A006003570X	BOLT M6×35	1	
3	B16674A006002870X	BOLT M6×28	1	
4	B16674A006003270X	BOLT M6×32	1	



左曲轴箱边盖
L. CRANKCASE COVER FRONT PART

CLUTCH ASSY

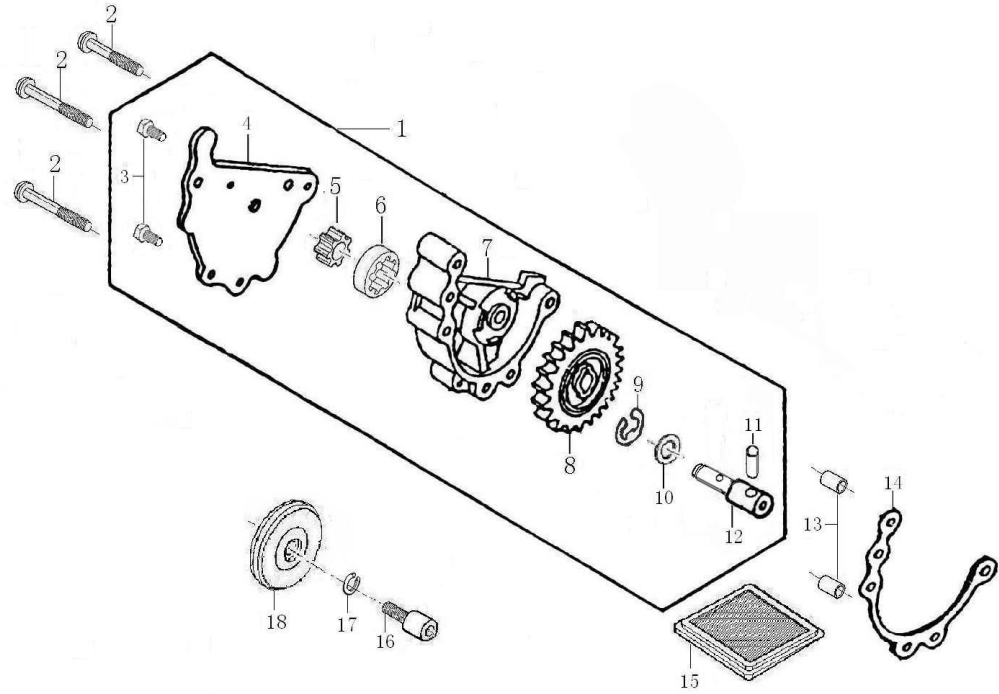
NO.	(PART CODE)	(ENGLISH DESCRIPTION)	QTY	REMARK
1	22000-1A24-0003	CLUTCH ASSY	1	
2	22151-1A24-0000	OUTER CASE, CLUTCH	1	
3	22143-1A24-0000	CLUTCH CUT SPRING	4	
4	22144-D002-0000	ABSORBING SPRING	4	
5	22111-1A24-0000	DRIVER PLATE	1	
6	22136-1A24-0000	PRIMARY DRIVE GEAR OUTER COVER	1	
7	22214-1A24-0000	DRIVE FRICTION DISK	3	
8	22125-D002-0000	CLUTCH DOWN PLATE	3	
9	91403-D002-0000	ELASTIC CHECK RING	1	
10	90218-D002-0000	GASKET, END COVER	1	
11	22403-D002-0000	PUSHING ROD, CLUTCH	1	
12	22126-D002-0000	OIL TUBE	1	
13	22127-D002-0000	OIL THIMBLE SPRING	1	
14	22128-1A24-0000	OIL THIMBLE	1	
15	92102-0000006001	BEARING (6001)	1	
16	B008190205001220B	SCREW M5×12	4	
17	22121-1A24-0000	END COVER, CLUTCH	1	
18	91202-D002-0000	LOCK NUT, CLUTCH	1	
19	22004-D002-0000	DISH WASHER, CLUTCH </td <td>1</td> <td></td>	1	
20	22001-D002-0000	STOP WASHER, CLUTCH	1	
21	2312B-D002-0000	DRIVEN GEAR COMP	1	
22	23226-D002-0000	CIRCLIP	1	
23	23110-D002-0000	DRIVEN GEAR	1	
24	23101-D002-0000	PRIMARY DRIVE GEAR	1	
25	23102-D002-0000	AXLE SLEEVE	1	



离合器总成
CLUTCH ASSY

OIL PUMP

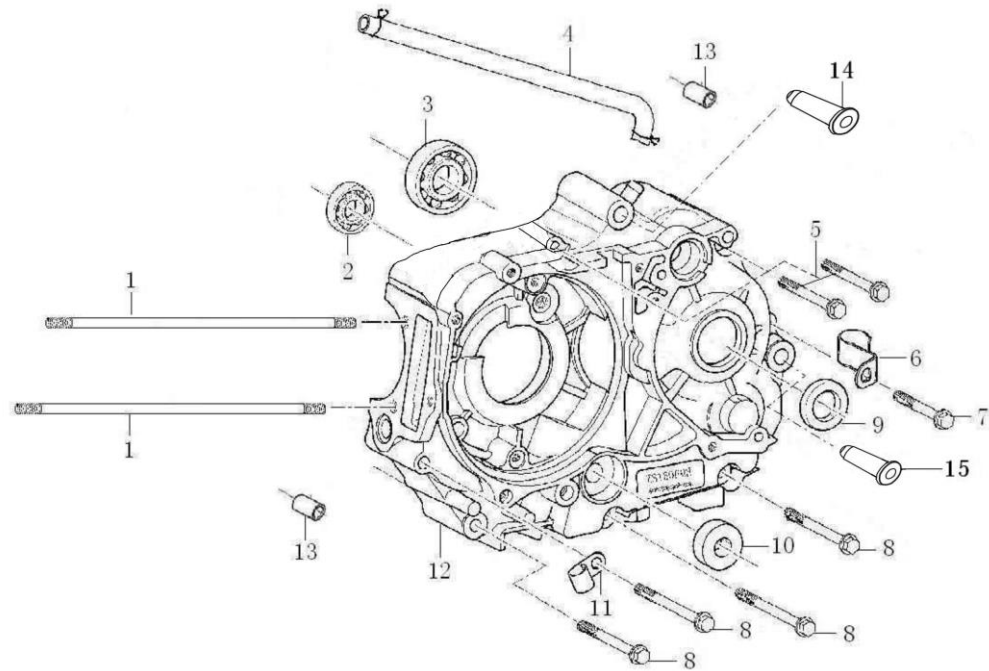
NO.	(PART CODE)	(ENGLISH DESCRIPTION)	QTY	REMARK
1	14100-IZ10-0000	OIL PUMP ASSY	1	
2	B008190106003020X	SCREW M6×30	3	
3	B008180005001020B	SCREW M5×10	2	
4	14108-IZ10-0000	OIL PUMP COVER	1	
5	14111-H020-0000	INNER ROTOR, OIL PUMP	1	
6	14112-H020-0000	OUTER ROTOR, OIL PUMP	1	
7	14110-IZ10-0000	OIL PUMP BODY	1	
8	14102-IZ10-0000	GEAR, OIL PUMP	1	
9	B0089600040000000	CIRCLIP 4	1	
10	93301-50650811500	WASHER 6.5×0.8×11.5	1	
11	B0011902030160000	PIN 3×16	1	
12	14107-IZ10-0000	SHAFT, OIL PUMP	1	
13	91521-08001200063	PIN 8×12×6.3	2	
14	90210-HZ31-0000	GASKET, OIL PUMP	1	
15	1431B-D002-0000	STRAINER, OIL FILTER	1	
16	91188-HZ31-0000	SCREW	1	
17	B0009300060000000B	WASHER φ6	1	
18	1432B-HZ31-0000	HUB DUMP CHAIN SPROCKET, OIL PUMP	1	



机油泵部件
OIL PUMP

LEFT CRANKCASE

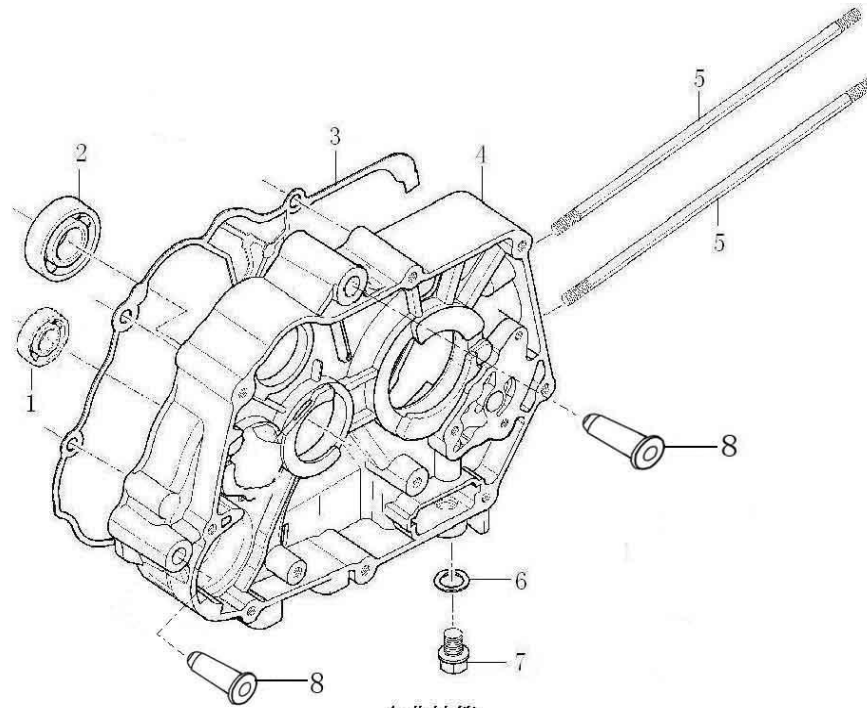
NO.	(PART CODE)	(ENGLISH DESCRIPTION)	QTY	REMARK
1	91101-I096-0000	CYLINDER STUD BOLT A	2	
2	92102-0000006001	BEARING (6001)	1	
3	92102-0000006203	BEARING (6203)	1	
4	12130-G011-0102	PIPE ASSY	1	
5	B16674A006006070X	BOLT M6×60	2	
6	11003-D002-00000X	CLIP, HIGH VOLTAGE WIRE	1	
7	B16674A006004570X	BOLT M6×45	1	
8	B16674A006006570X	BOLT M6×65	4	
9	90303-D002-0000	OIL SEAL 17×29×5	1	
10	90301-D002-0000	OIL-SEAL 11.6×24×10	1	
11	12108-D002-00000X	CLIP, OVERFLOW PIPE	1	
12	1212B-IZ21-000089	LEFT CRANKCASE BLOCK	1	
13	91521-10001400000	PIN 10×14	2	
14	10009-G001-0001	ABSORBER SLEEVE	1	
15	10009-G001-0002	ABSORBER SLEEVE	1	



左曲轴箱
LEFT CRANKCASE

RIGHT CRANKCASE

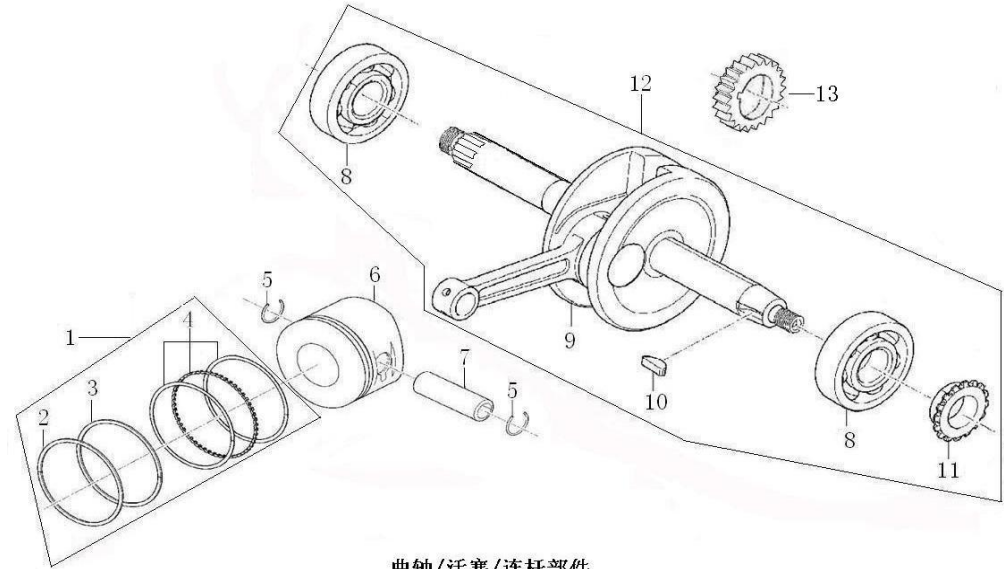
NO.	(PART CODE)	(ENGLISH DESCRIPTION)	QTY	REMARK
1	92102-0000006201	BEARING (6201)	1	
2	92102-0000006203	BEARING (6203)	1	
3	90208-D002-0001	GASKET, CRANKCASE	1	
4	1222B-IZ21-000089	RIGHT CRANKCASE BLOCK	1	
5	91102-I096-0000	CYLINDER STUD BOLT B	2	
6	93301-71242020000	WASHER 12.4×2×20	1	
7	91103-1008-00000X	OIL DRAIN PLUG	1	
8	10009-G001-0002	ABSORBER SLEEVE	2	



右曲轴箱
RIGHT CRANKCASE

CRANKSHAFT CONNECTING-ROD ASSY/PISTON

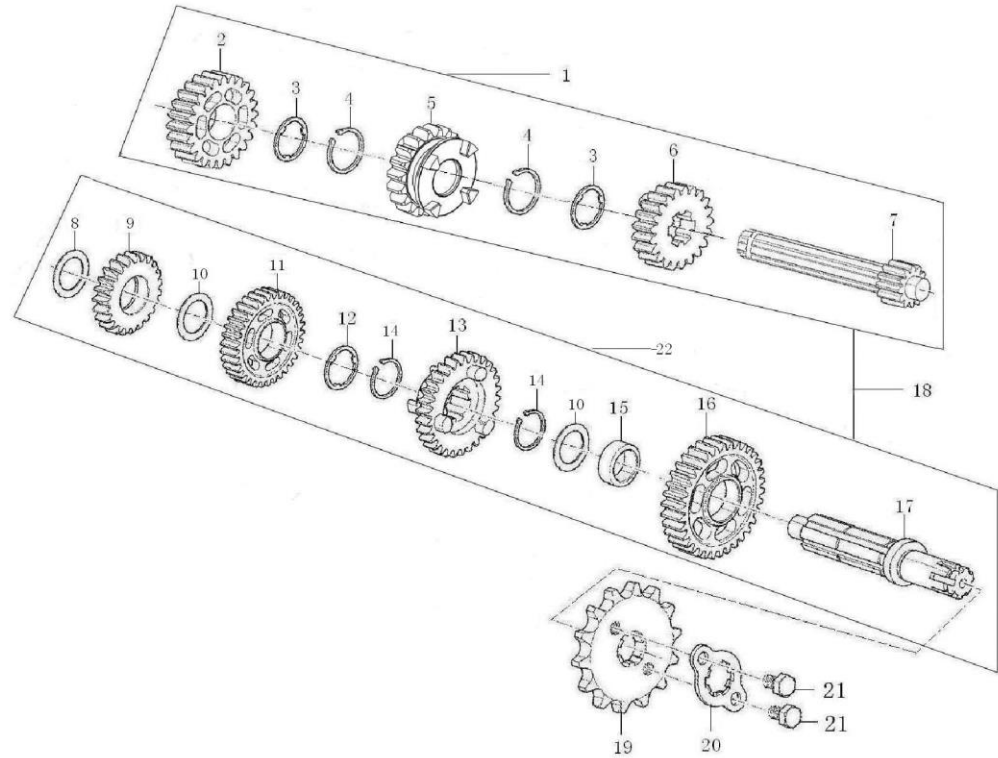
NO.	(PART CODE)	(ENGLISH DESCRIPTION)	QTY	REMARK
1	1310A-IA24-0000	PISTON RING COMP	1	
2	13103-IA24-0000	PISTON RING 1	1	
3	13104-IA24-0000	PISTON RING 2	1	
4	13120-IA24-0000	OIL RING ASSY	1	
5	91401-G012-0000	CHECK RING, PISTON PIN	2	
6	13101-IA24-0000	PISTON	1	
7	13102-1096-0000	PIN PISTON	1	
8	92102-00006205P63	BEARING (6205/P63)	2	
9	13220-IZ10-0000	CONNECTING ROD COMP 3	1	
10	91601-D002-0000	SEMICIRCULAR KEY	1	
11	13222-1096-0000	HUB DUMP CHAIN SPROCKET	1	
12	1320B-IZ10-0006	CRANKSHAFT CONNECTING-ROD ASSY	1	
13	14101-IZ10-0000	DRIVE GEAR, OIL PUMP	1	



曲轴/活塞/连杆部件
CRANKSHAFT/PISTON/CONNECTING ROD COMP

TRANSMISSION MAIN, COUNTER SHAFT

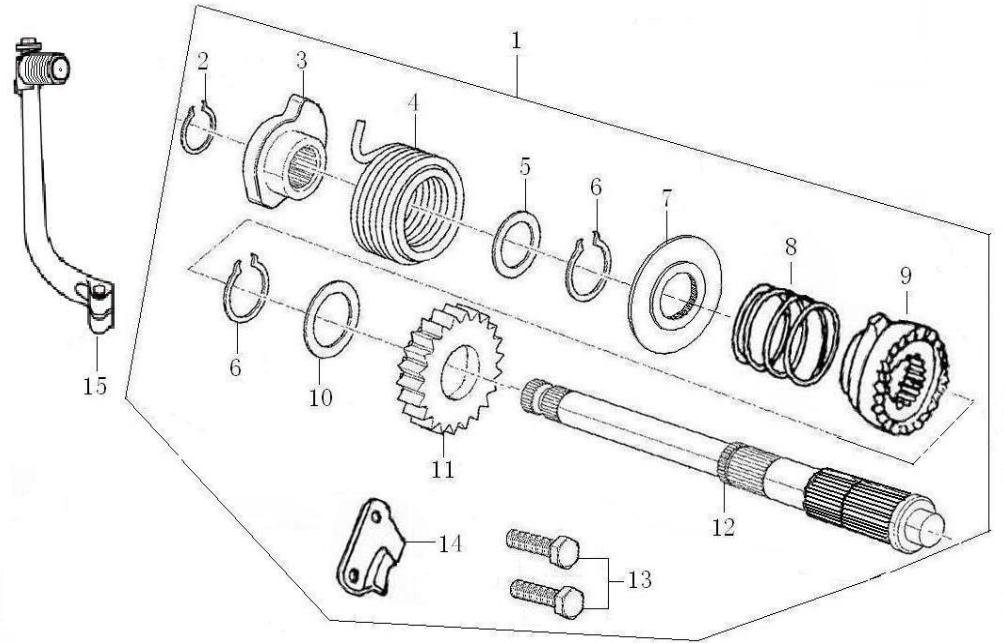
NO.	(PART CODE)	(ENGLISH DESCRIPTION)	QTY	REMARK
1	23220-H032-0100	MAIN SHAFT, TRANSMISSION	1	
2	23222-D002-0004	GEAR M-4	1	
3	23223-D002-0000	WASHER	2	
4	23226-D002-0000	CIRCLIP	2	
5	23222-H032-0003	GEAR M-3	1	
6	23222-D002-0002	GEAR M-2	1	
7	23221-H032-0000	TRANSMISSION MAIN SHAFT	1	
8	93301-51370526000	WASHER 13.7×0.5×26	1	
9	23242-H032-0004	GEAR C-4	1	
10	93301-61521030000	WASHER 15.2×1×30	2	
11	23242-H032-0003	GEAR C-3	1	
12	23223-I006-0000	WASHER	1	
13	23242-H032-0002	GEAR C-2	1	
14	91414-I008-0000	CHECK RING	2	
15	23247-H032-0000	COLLAR 22×20	1	
16	23242-H032-0101	GEAR C-1	1	
17	23241-H032-0500	TRANSMISSION COUNTER SHAFT	1	
18	23200-H032-0500	TRANSMISSION MAIN, COUNTER SHAFT	1	
19	23401-G011-0000	DRIVE SPROCKET	1	
20	23402-D002-0000	FIXING PLATE, DRIVE SPROCKET	1	
21	B057830006001020X	BOLT M6×10	2	
22	23240-H032-0500	COUNTERSHAFT TRANSMISSION	1	



主副轴组合
TRANSMISSION MAIN, COUNTER SHAFT

KICK STARTING SHAFT ASSEMBLY

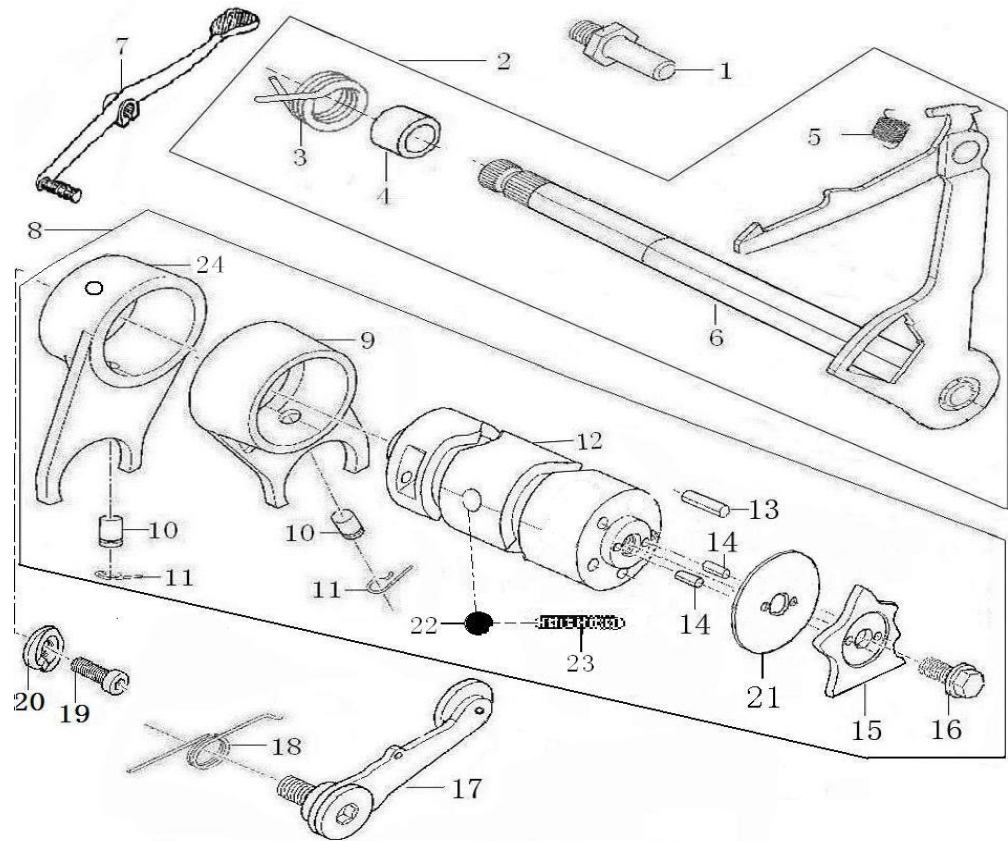
NO.	(PART CODE)	(ENGLISH DESCRIPTION)	QTY	REMARK
1	21100-D002-0002	KICK STARTING SHAFT ASSEMBLY	1	
2	91402-D002-0000	CIRCLI $\phi 15.5 \times 1.2 \times \phi 19$	1	
3	21104-D002-0000	SEAT, SPRING, KICK STARTING SHAFT	1	
4	21106-D002-0000	RETURN SPRING, KICK STARTING SHAFT	1	
5	93301-61721024000	WASHER $17.2 \times 1.0 \times 24$	1	
6	91402-D002-0100	CIRCLI $\phi 18.5 \times 1.2 \times \phi 22.1$	2	
7	21122-D002-0000	SPRING SUPPORT	1	
8	21119-D002-0000	SPRING, KICK STARTING RATCHET WHEEL	1	
9	21118-D002-0000	STARTING RATCHET	1	
10	93301-62021027000	WASHER $20.2 \times 1.0 \times 27$	1	
11	21117-D002-0000	GEAR, KICK STARTER	1	
12	21107-D002-0002	PIVOT, KICK STARTING SHAFT	1	
13	B057830006002020B	BOLT $M6 \times 20$	2	
14	21108-D002-0000	SPACE, RATCHET WHEEL	1	
15	21200-F004-0002	START-UP BAR COMP	1	



启动轴总成
KICK STARTING SHAFT ASSEMBLY

GEARSHIFT MECHANISM

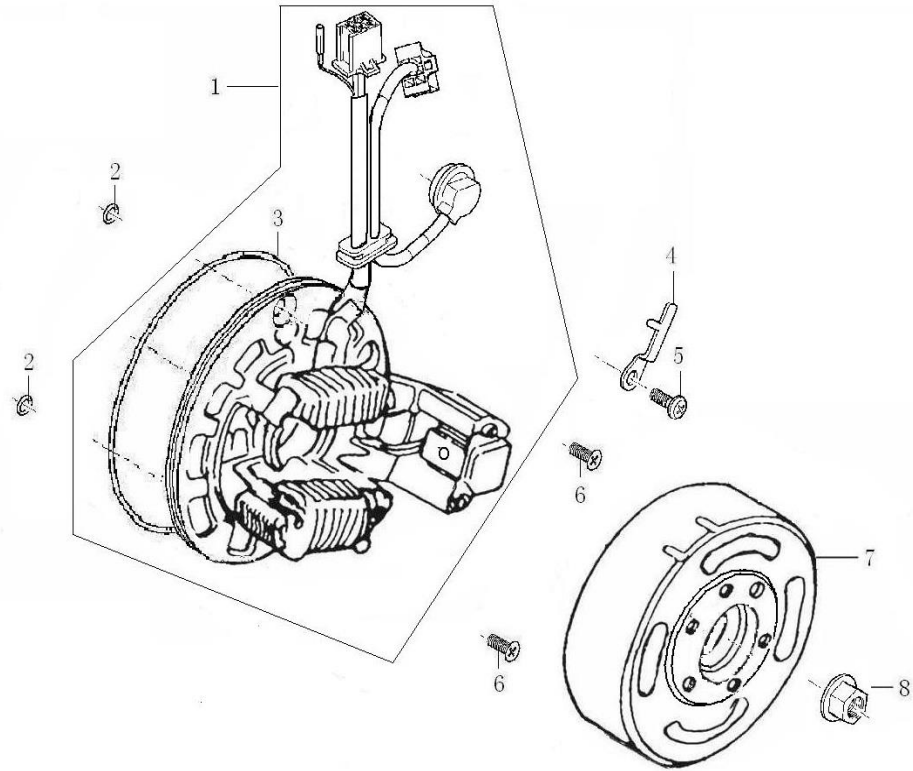
NO.	(PART CODE)	(ENGLISH DESCRIPTION)	QTY	REMARK
1	91117-D002-0000	BOLT, RETURN SPRING FIXING 8×11	1	
2	24300-D002-0001	GEARSHIFT LEVER COMP	1	
3	24302-D002-0000	RETURN SPRING	1	
4	24320-D002-0000	SLEEVE OF GEARSHIFT LEVER COMP	1	
5	24318-D002-0000	GEARSHIFT LEVER TENSION SPRING	1	
6	24301-D002-0001	GEARSHIFT SHAFT COMP	1	
7	24400-G007-0002	GEARSHIFT SHAFT	1	
8	24200-D002-2300	GEARSHIFT DRUM COMP	1	
9	24101-G011-0000	GEARSHIFT FORK	2	
10	24102-D002-0000	GUIDE PIN	2	
11	24103-D002-0000	CLIP, SPRING	2	
12	24213-D002-0800	GEARSHIFT DRUM	1	
13	91522-04001300000	PIN 4×13	3	
14	91522-03000850000	PIN 3×8.5	2	
15	24202-G007-0000	STOPPING PLATE	1	
16	91126-G031-0000	BOLT M6×16	1	
17	2434A-G011-0100	LOCATING PLATE ASSY	1	
18	24304-G011-0010	SPRING, LOCATING PLATE	1	
19	91149-G011-00000C	SCREW	1	
20	88004-G011-0000	CONTACT, GEAR INDICATION	1	
21	24216-G007-0000	PRESS PLATE OF GEARSHIFT DRUM	1	
22	71205-0000-0300	STEEL BALL	1	
23	24206-D002-0000	SPRING	1	
24	24101-D002-0200	GEARSHIFT FORK	1	



变速机构
GEARSHIFT MECHANISM

MAGNETO COMP

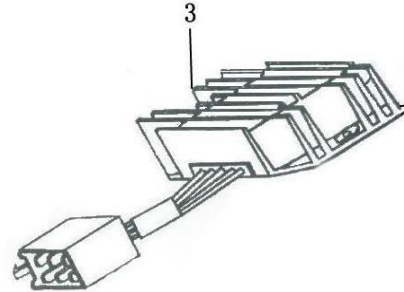
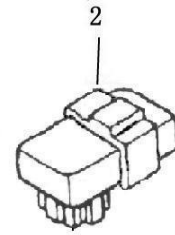
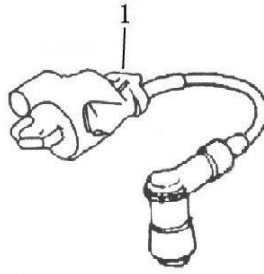
NO.	(PART CODE)	(ENGLISH DESCRIPTION)	QTY	REMARK
1	82120-F004-020634	STATOR ASSY, MAGNETO	1	
2	90101-50065000180	O-RING 6.5×1.8	2	
3	90101-51068000200	O-RING 106.8×2	1	
4	88002-G011-0001	GEARSHIFT SWITCH PRESSING PLATE	1	
5	B008230006001220X	SCREW M6×12	1	
6	B008190106001620X	SCREW M6×16	2	
7	82130-F004-0100	ROTOR ASSY, MAGNETO	1	
8	91213-D002-00010X	NUT	1	



磁电机总成
MAGNETO COMP

ELECTRIC

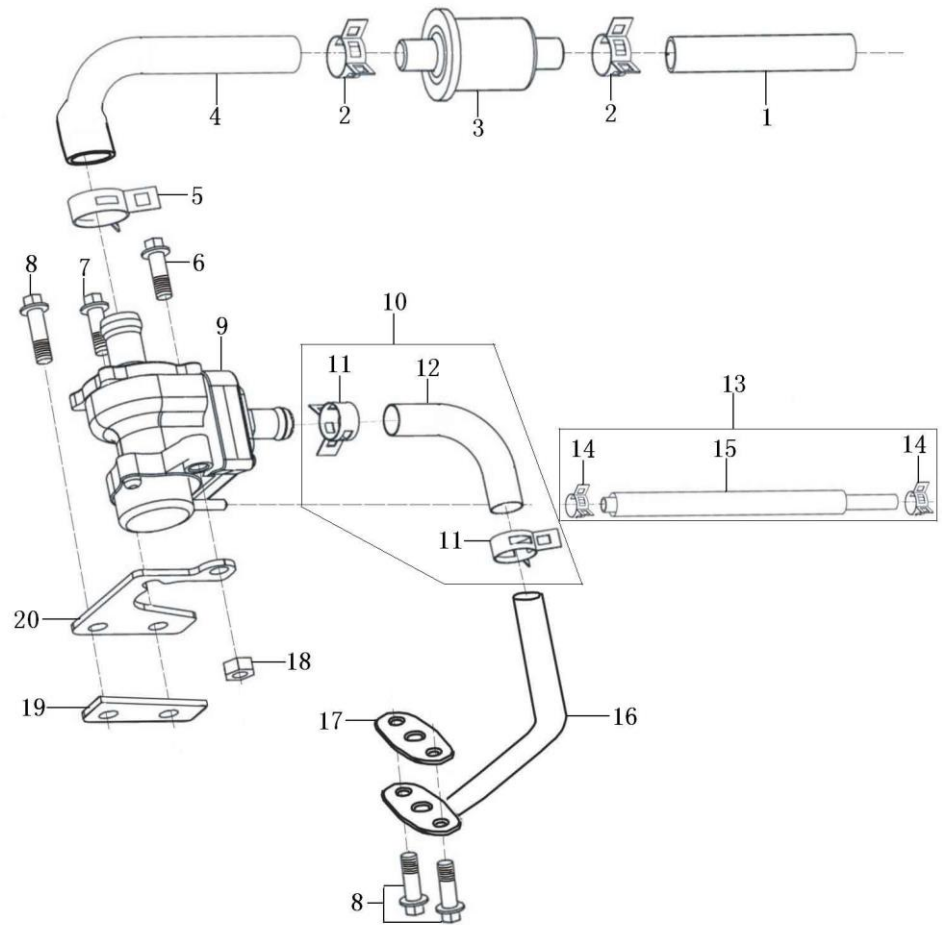
NO.	(PART CODE)	(ENGLISH DESCRIPTION)	QTY	REMARK
1	81100-D002-000050	IGNITION COIL	1	
2	81200-G011-0000	C. D. I	1	
3	83100-G011-0000	RECTIFIER	1	



电零件
ELECTRIC

EXHAUST GAS RECIRCULATION SYSTEM

NO.	(PART CODE)	(ENGLISH DESCRIPTION)	QTY	REMARK
1	16156-G011-0000	CONNECTING PIPE	1	
2	16157-I008-0000	HOOP	2	
3	16160-I008-0000	SEC. AIR BOX VALVE	1	
4	16156-I008-0000	CONNECTING PIPE	1	
5	16157-I008-0100	HOOP	1	
6	B16674A006001870X	BOLT M6×18	1	
7	B16674A006002570X	BOLT M6×25	1	
8	B16674A006001670X	BOLT M6×16	3	
9	18090-G011-0001	GAS PUMP	1	
10	18110-G011-0000	RUBBER PIPE	1	
11	18097-I008-0000	CLAMP	2	
12	18092-G011-0000	RUBBER PIPE	1	
13	18110-I008-0100	RUBBER PIPE	1	
14	18097-I008-0100	CLAMP	2	
15	18092-I008-0100	RUBBER PIPE	1	
16	1809B-G011-02000Y	IRON PIPE	1	
17	90268-DA80-0000	PAPER GASKET	1	
18	B061770106000090X	NUT 6	1	
19	90274-I008-0000	INSULATING GASKET	1	
20	18089-I008-00000C	GAS PUMP PLATE	1	



废气再循环系统
EXHAUST GAS RECIRCULATION SYSTEM