

ZS172FMM-3A (CB250-F)

Please make reference to this book when you plan to purchase the parts. Any difference against the real motorcycle, please do as per the real. To get information concerning a certain component part, first locate, by its shape, the part in the illustration which show its fitting position, then find out the reference number of that part and look it up in the corresponding table where all informatung about the part are provided, such as the name, part number, quantity and/or its fitting relationship with other parts. Any modifications will not be informed ahead of time.

Doc.Title :PARTS-BREAKDOWN CATALOGUE FOR CB250-F ENGINE

Doc.no (Model code) :CB250-F

Brand Name :ZONGSHEN

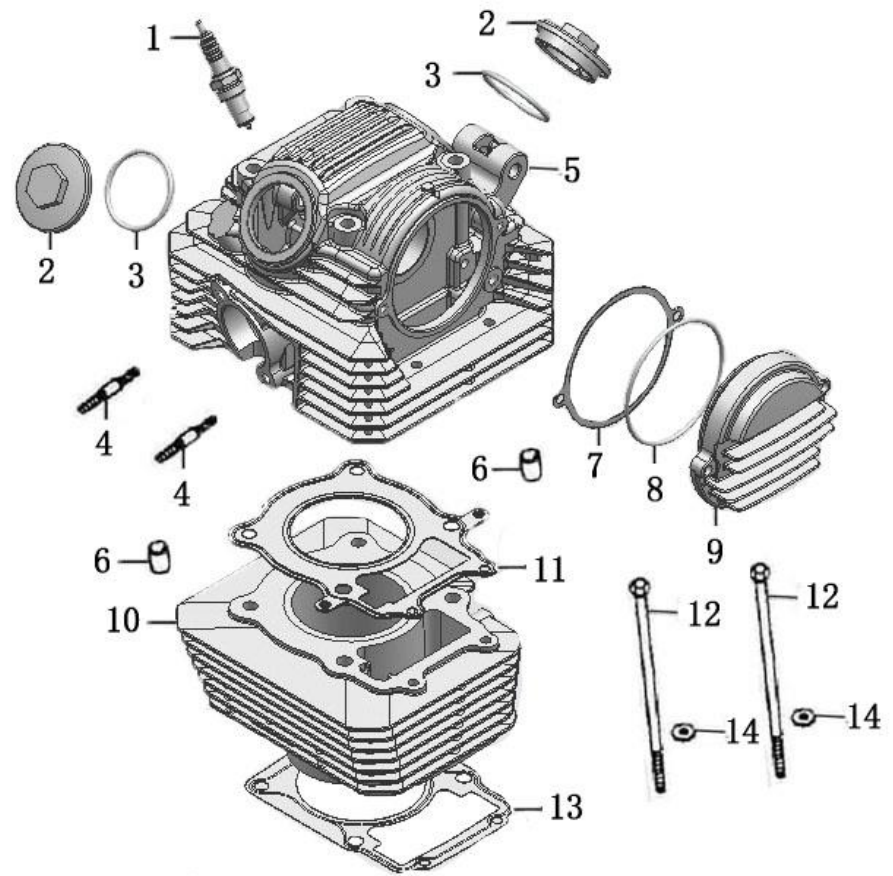
Revision Number:

Date of Release:5.17.2013

Page :1 of 13

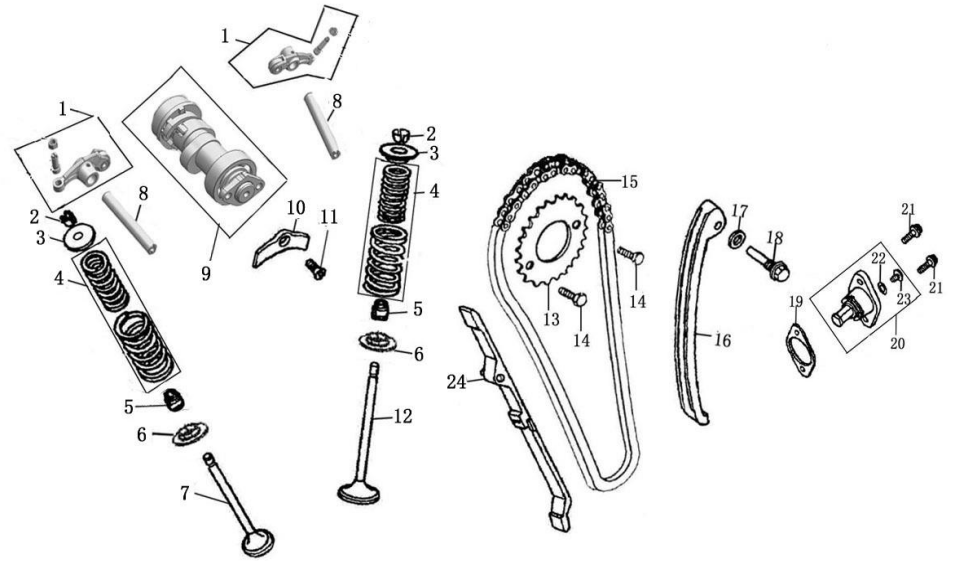
PAGE	ENGLISH DESCRIPTION
1	CYLINDER HEAD ASSY/CYLINDER ASSEMBLY
2	VALVE MECHANISM
3	CRANKCASE COVER
4	CLUTCH ASSY
5	OIL PUMP/OIL FILTER
6	CRANKCASE
7	CRANKSHAFT CONNECTING-ROD ASSY/PISTON
8	TRANSMISSION MECHANISM
9	GEARSHIFT MECHANISM
10	MAGNETO COMP
11	ELECTRIC STARTING MECHANISM
12	ELECTRIC
13	EXHAUST GAS RECIRCULATION SYSTEM

CYLINDER HEAD ASSY/CYLINDER ASSEMBLY				
NO.	(PART CODE)	(ENGLISH DESCRIPTION)	QTY	REMARK
1	100104137	Spark Plug	1	
2	100102870-0006	Cover Valve Chamber	2	
3	100107782	O-Ring, $\phi 45 \times 3$	2	
4	100100438-0002	Bolt, M8 \times 38	2	
5	100104457-0002	Cylinder Head Assy	1	
6	100031687	Pin, $\phi 10 \times 20$	2	
7	100104541	Gasket L Cylinder Head Cover	1	
8	100102710	O-Ring, $\phi 80 \times 2.65$	1	
9	100102867-0002	Left Cover Cylinder Head	1	
10	100104395-0002	Cylinder Block Assembly	1	
11	100104630	Gasket Assy Cylinder Head	1	
12	100204670-0004	Bolt, M6 \times 113	2	
13	100104562	Gasket Cylinder Block	1	
14	100033303-0002	Washer, $\phi 6.2 \times 1 \times \phi 12$	2	



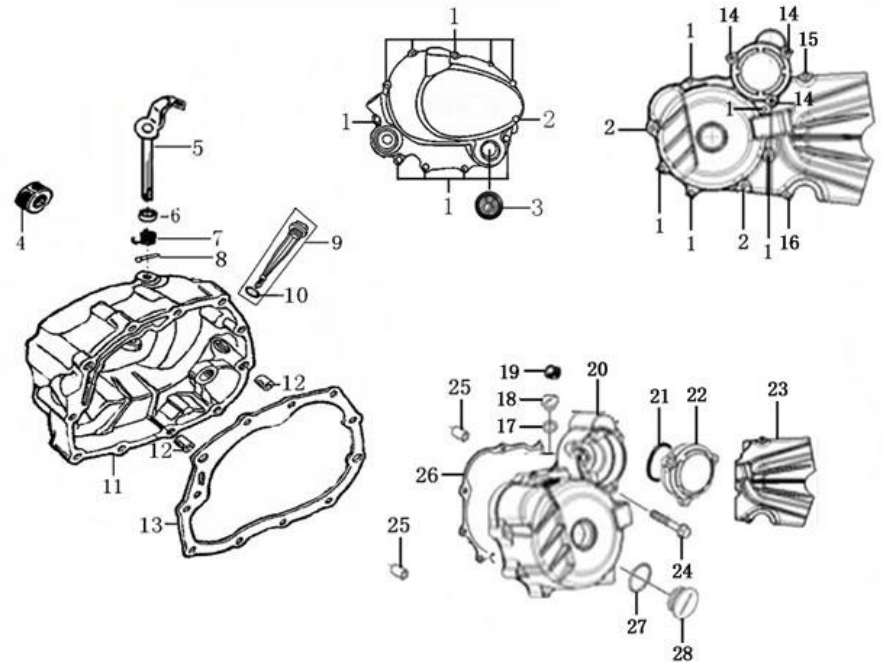
气缸头部件/气缸体部件
CYLINDER HEAD ASSY/CYLINDER ASSEMBLY

VALVE MECHANISM				
NO.	(PART CODE)	(ENGLISH DESCRIPTION)	QTY	REMARK
1	100050892	Rocker Arm Assembly Valve	2	
2	100051841	Valve Locker	4	
3	100105311	SpRing, Seat	2	
4	100200728	Inner SpRing, Assy	2	
5	100105336	Seal Valve Stem	2	
6	100053432	Outer Valve SpRing, Retainer	2	
7	100105283	Exhaust Valve	1	
8	100105152	Rocker Shaft	2	
9	100104967	Gamp Shaft Comp	1	
10	100102810	Position Plate Rocker Shaft	1	
11	100011173-0003	Bolt, M6×16	1	
12	100105271	Intake Valve	1	
13	100105063	Timing Driven Sprocket	1	
14	100011171-0002	Bolt, M6×12	2	
15	100105129	Sproket Chain	1	
16	100200483	Tension Plate Assy	1	
17	100106544	Washer, $\phi 8 \times 1.5 \times \phi 14$	1	
18	100100363-0007	Bolt	1	
19	100104605	Gasket Tensioner	1	
20	100108552-0011	Chain Tensioning Wheel	1	
21	100010837-0002	Bolt, M6×16	2	
22	100107848	O-RING 9×1.8	1	
23	100108598-0001	BOLT M6×6	1	
24	100105225	Guide Plate Chain	1	



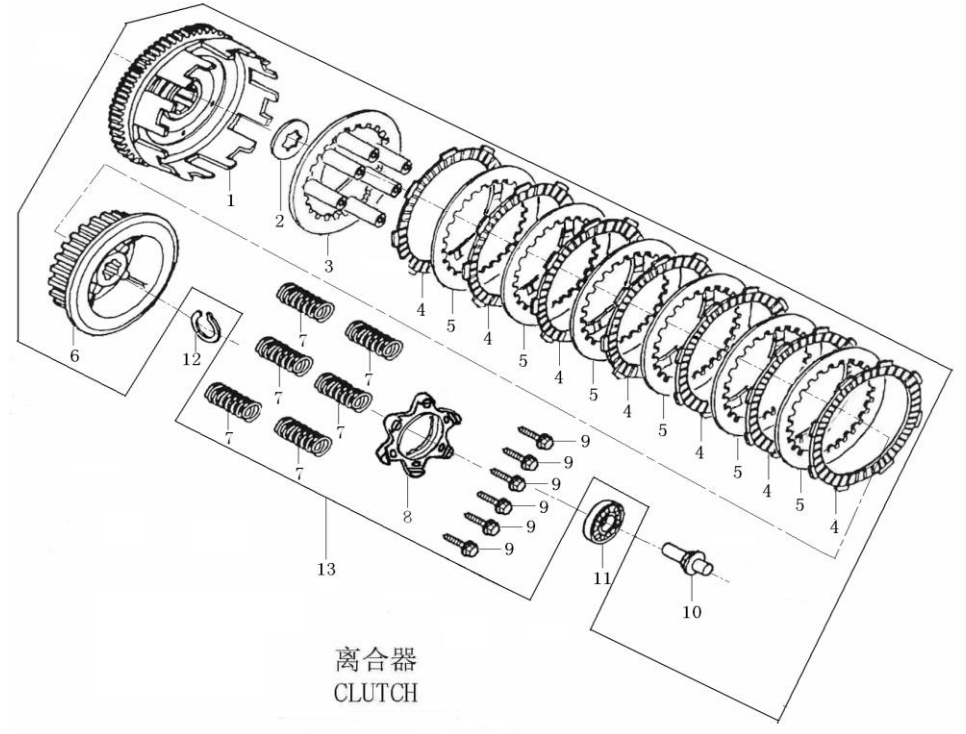
配气机构 VALVE MECHANISM

CRANKCASE COVER				
NO.	(PART CODE)	(ENGLISH DESCRIPTION)	QTY	REMARK
1	100011538-0003	BOLT M6×40	15	
2	100011540-0007	BOLT M6×50	3	
3	100101319	OIL LELVE SIGHT WINDOW	1	
4	100104733	OIL SEAL 16×28×7	1	
5	100203152-0005	Controlling Arm Assembly Clutch	1	
6	100104754	OIL SEAL 12×22×5	1	
7	100103443	Clutch Controlling Arm Spring	1	
8	100100636-0001	CLUTCH LEVER PIN	1	
9	100104887	OIL RULER ASSY	1	
10	100031573	O-RING 18×3	1	
11	100104101-0007	Cover Comp Right Crankcase		
12	100100868	PIN 8×14×6.3	2	
13	100104571	Gasket R.Crankcase Cover	1	
14	100055588-0006	Bolt, M6×20	3	
15	100055587-0006	BOLT M6×28	1	
16	100031957-0007	BOLT M6×32	1	
17	100010072	O-RING 13.2×1.8	1	
18	100103059-0025	CAP, SMALL VIEW HOLE	1	
19	100101202	BEARING	1	
20	100102796-0007	FRONT PART, L. CRANKCASE COVER	1	
21	100107808	O-RING 62×3	1	
22	100100005-0019	COVER, REDUCTION GEAR	1	
23	100103123-0009	BACK PART, L. CRANKCASE COVER	1	
24	100011534-0002	BOLT M6×25	1	
25	100010557	PIN 10×14	2	
26	100104546	GASKET, L. CRANKCASE COVER	1	
27	100107731	O-RING 27.4×2.65	1	
28	100103062-0024	CAP, BIG VIEW HOLE	1	

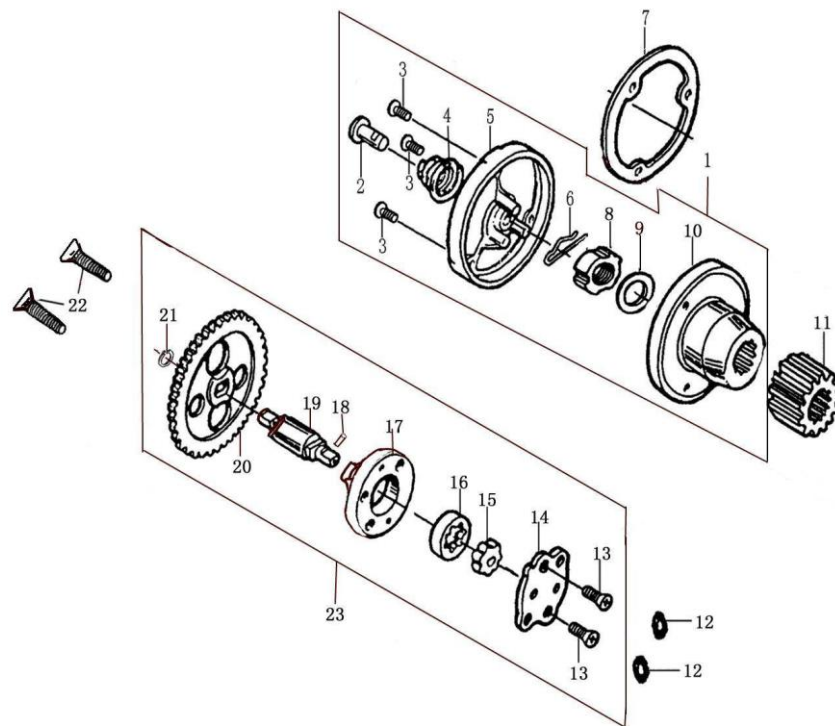


曲轴箱盖 CRANKCASE COVER

CLUTCH ASSY				
NO.	(PART CODE)	(ENGLISH DESCRIPTION)	QTY	REMARK
1	100203002	Out Case Assembly Clutch	1	
2	100103341	Washer	1	
3	100050125	Pressure Plate Clutch	1	
4	100050121	Drive Friction Disk	7	
5	100103422	Outer Friction Disk A	6	
6	100050124	Center Sleeve Clutch	1	
7	100050122	SPRING, Clutch	6	
8	100103373	End Cover Clutch	1	
9	100100429-0003	Bolt, M5×20	6	
10	100103436	Pushing Rod Clutch	1	
11	100010690	BEARING (16003)	1	
12	100100601	ELASTIC CHECK RING	1	
13	100202857	Clutch Assy	1	



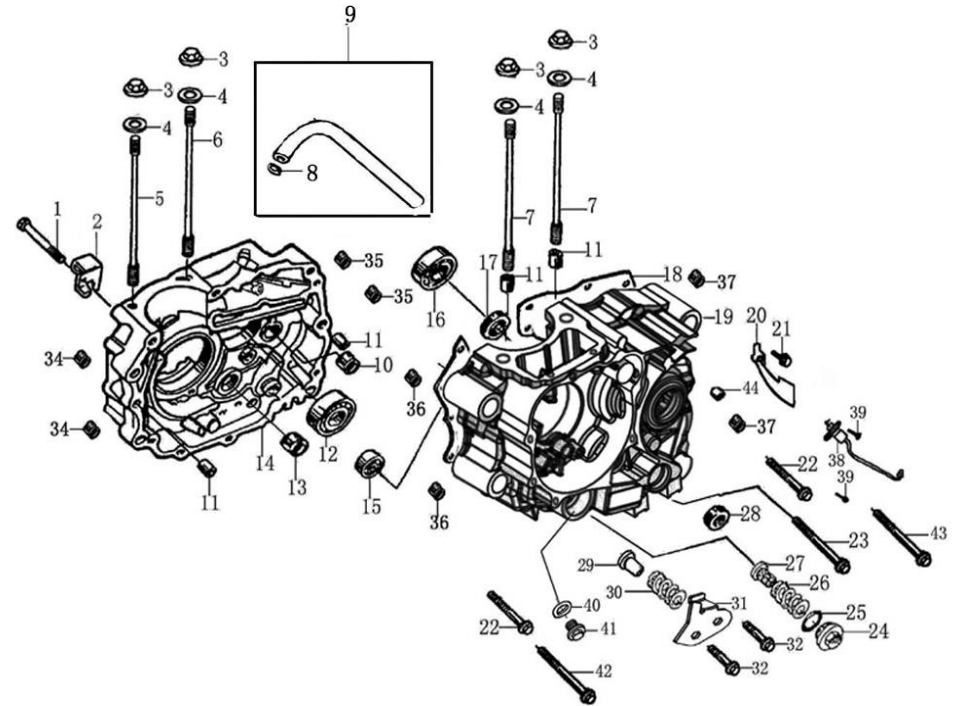
OIL PUMP/OIL FILTER				
NO.	(PART CODE)	(ENGLISH DESCRIPTION)	QTY	REMARK
1	100200006	Oil Filter Comp	1	
2	100104843	OIL PIPE	1	
3	100010969-0001	SCREW M5×12	3	
4	100104844	SPRING, OIL PIPE	1	
5	100104849-0001	OIL FILTER COVER	1	
6	100104850	OPEN PIN	1	
7	100104600	Gasket Oil Filter	1	
8	100100524	NUT	1	
9	100103345	DISH WASHER, CLUTCH	1	
10	100200018	OIL FILTER BODY	1	
11	100103485	PRIMARY DRIVE GEAR	1	
12	100107842	O-RING $\phi 9.4 \times 2.4$	2	
13	100010946-0003	SCREW M4×10	2	
14	100204759	OIL PUMP COVER	1	
15	100204771	INNER ROTOR, OIL PUMP	1	
16	100204777	OUTER ROTOR, OIL PUMP	1	
17	100204767	OIL PUMP BODY	1	
18	100032890	PIN $\phi 2.5 \times 10$	1	
19	100204754	SHAFT, OIL PUMP	1	
20	100100135	GEAR, OIL PUMP	1	
21	100011111	CIRCLIP 6	1	
22	100010974-0001	SCREW M6×30	2	
23	100100061	OIL PUMP ASSY	1	



机油泵部件/机油滤清器部件
OIL PUMP/OIL FILTER

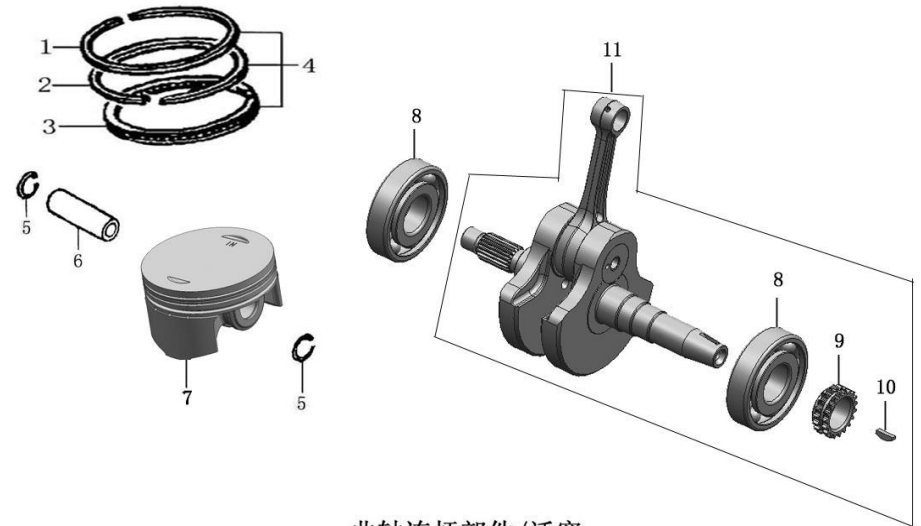
CRANKCASE

NO.	(PART CODE)	(ENGLISH DESCRIPTION)	QTY	REMARK
1	100011543-0001	BOLT M6×65	1	
2	100203093-0005	HOLDER, CLIUTCH CABLE	1	
3	100100508-0007	NUT M8	4	
4	100106576	WASHER 8.5×2×18	4	
5	100204636	Cylinder Stud Bolt A	1	
6	100100256	Cylinder Stud Bolt A	1	
7	100100311	Cylinder Stud Bolt B	2	
8	100105484	CLAMP	2	
9	100102977	PIPE ASSY	1	
10	100101073	BEARING (NK15×27×12)	1	
11	100010557	PIN 10×14	4	
12	100010672	BEARING (6006)	1	
13	100101062	BEARING (HK21×28×10)	1	
14	100066535-0002	RIGHT CRANKCASE BLOCK	1	
15	100101026	BEARING (TM6202Z)	1	
16	100100951	BEARING (6204)	1	
17	100104700	OIL SEAL 20×34×7	1	
18	100066537	GASKET, CRANKCASE	1	
19	100066536-0002	LEFT CRANKCASE BLOCK	1	
20	100102900	POSITION PLATE	1	
21	100055591-0006	BOLT M6×12	1	
22	100011540-0007	BOLT M6×50	7	
23	100011545-0001	BOLT M6×100	1	
24	100102871-0002	COVER, VALVE CHAMBER	1	
25	100107766	O-RING 35×3	1	
26	100104866	SPRING, OIL FILTER STRAINER	1	
27	100104943	STRAINER, OIL FILTER	1	
28	100104650	OIL-SEAL 14×28×7	1	
29	100103000	PRESSING PIN BODY UPPER PIN	1	
30	100206029	PRESSING PIN BODY SPRING	1	
31	100202748	ASSEMBLY, CHAIN PROTECT PLATE	1	
32	100011173-0003	BOLT M6×16	2	
33	100107409	ABSORBER SLEEVE	2	
34	100107406	ABSORBER SLEEVE	2	
35	100107516	ABSORBER SLEEVE	2	
36	100107515	ABSORBER SLEEVE	2	
37	100208372-0002	GEARSHIFT SWITCH COMP	1	
38	100100472	SCREW	2	
39	100106548	WASHER 12.1×2×20	1	
40	100100331-0006	OIL DRAIN PLUG	1	
41	100011542-0001	BOLT M6×60	1	
42	100031959-0007	BOLT M6×70	1	
43	100101202	BEARING	1	



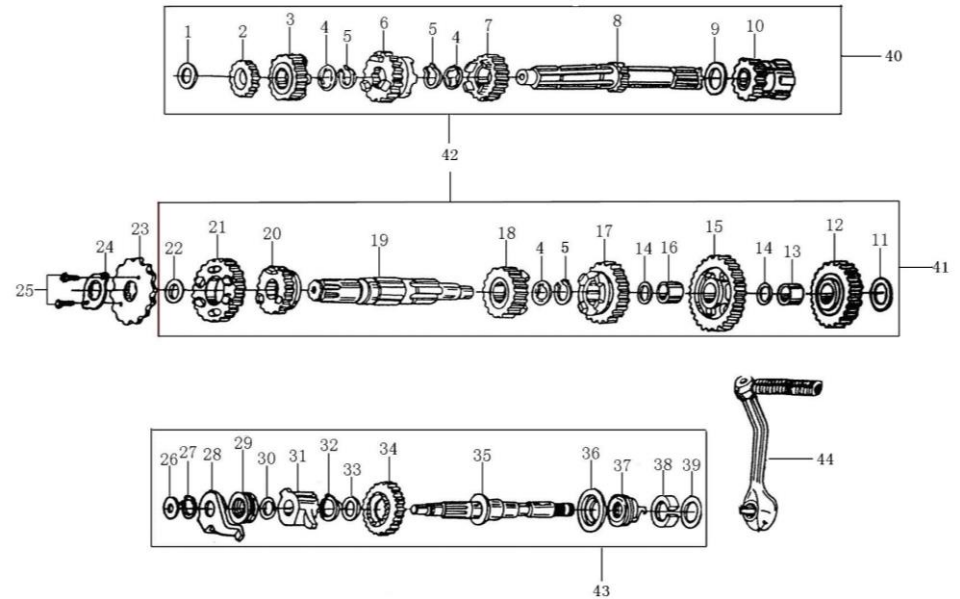
曲轴箱 CRANKCASE

CRANKSHAFT CONNECTING-ROD ASSY/PISTON				
NO.	(PART CODE)	(ENGLISH DESCRIPTION)	QTY	REMARK
1	100107432	Piston Ring, 1	1	
2	100077402	Piston Ring, 2	1	
3	100077401	Oil Ring, Assy	1	
4	100077394	Piston Ring, Comp	1	
5	100100590	Check Ring Piston Pin	2	
6	100101541	Pin, Piston	1	
7	100055160	Piston	1	
8	100066540	BeaRing, (TM63/28X1E2/P5)	2	
9	100101986	Timing Gear	1	
10	100100643	Semicircular Key	1	
11	100066539	Crankshaft Connecting-Rod Assy	1	



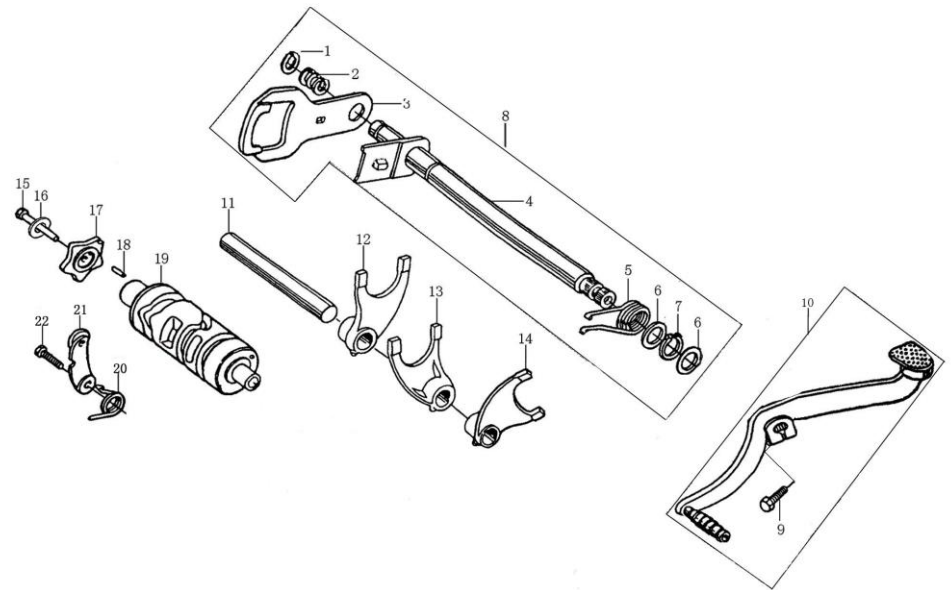
曲轴连杆部件/活塞
CRANKSHAFT CONNECTING-ROD ASSY/PISTON

TRANSMISSION MECHANISM				
NO.	(PART CODE)	(ENGLISH DESCRIPTION)	QTY	REMARK
1	100106510	WASHER 15.2×1×25	1	
2	100103627	GEAR M-2	1	
3	100103630	GEAR M-5	1	
4	100103647	WASHER	3	
5	100100596	CIRCLI φ 18.5×1.2×φ 22.1	3	
6	100103629	GEAR M-4	1	
7	100103628	GEAR M-3	1	
8	100052667	TRANSMISSION MAIN SHAFT	1	
9	100106525	WASHER 20.2×0.5×27	1	
10	100103664	FINAL SHAFT	1	
11	100106511	WASHER 15.2×1×30	1	
12	100103778	GEAR	1	
13	100103565	GEAR BUSH	1	
14	100106434	WASHER 16.5×0.5×24	2	
15	100103743	GEAR C-1	1	
16	100203405	GEAR BUSH	1	
17	100103741	GEAR C-3	1	
18	100103739	GEAR C-4	1	
19	100103689	TRANSMISSION COUNTER SHAFT	1	
20	100103740	GEAR C-5	1	
21	100103737	GEAR C-2	1	
22	100106460	WASHER 20×1×27	1	
23	100103810	DRIVE SPROCKET	1	
24	100103850	FIXING PLATE,DRIVE SPROCKET	1	
25	100031911-0004	BOLT M6×10	2	
26	100106396	WASHER 12.1×1×18	1	
27	100011098	CIRCLIP 16	1	
28	100105793	GUIDE PLATE ASS.	1	
29	100105788	SPRING, KICK STARTING RATCHET WHEEL	1	
30	100106425	WASHER 16.1×1×24	1	
31	100105783	STARTING RATCHET	1	
32	100100598	CIRCLI φ 18.5×1.2×φ 22.4	1	
33	100106522	WASHER 20×0.5×27	1	
34	100102487	GEAR, KICK STARTER	1	
35	100105753-0001	PIVOT, KICK STARTING SHAFT	1	
36	100105740	SEAT, SPRING, KICK STARTING SHAFT	1	
37	100105746	RETURN SPRING, KICK STARTING SHAFT	1	
38	100105763	COLLAPSIBLE	1	
39	100106426	WASHER 16.1×1×30	1	
40	100066761	MAIN SHAFT, TRANSMISSION	1	
41	100203556	COUTERSHAFT TRANSMISSION	1	
42	100066762	TRANSMISSION MAIN, COUNTER SHAFT	1	
43	100201863	KICK STARTING SHAFT ASSEMBLY	1	
44	100303403	START-UP BAR COMP	1	



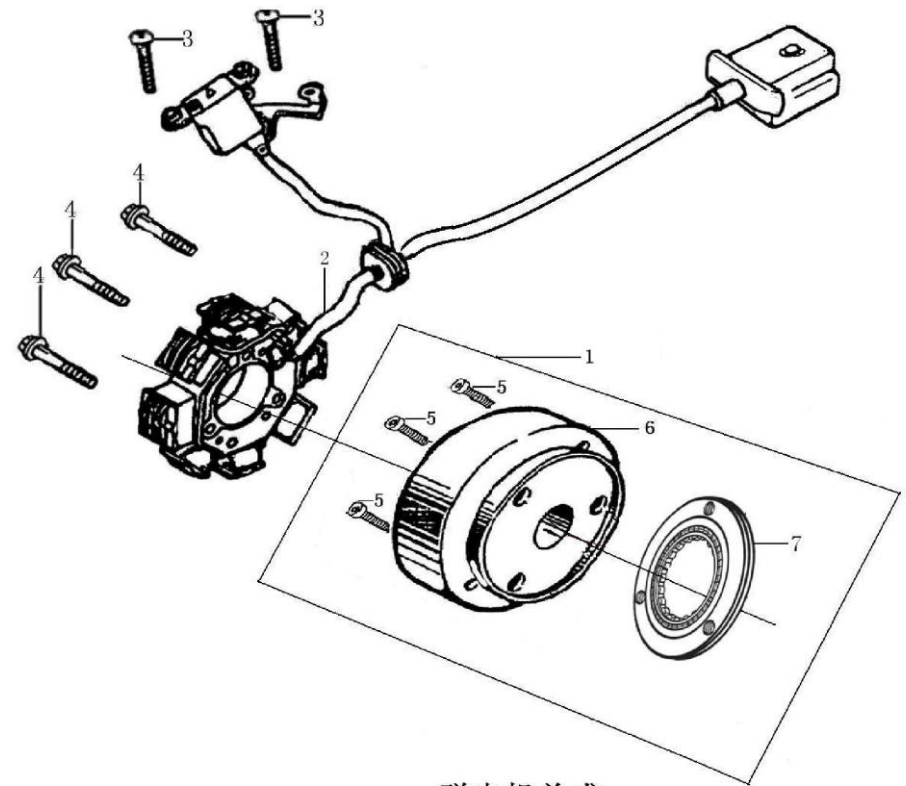
传动机构
TRANSMISSION MECHANISM

GEARSHIFT MECHANISM				
NO.	(PART CODE)	(ENGLISH DESCRIPTION)	QTY	REMARK
1	100011095	CIRCLIP 12	1	
2	100103977	SPRING, GEARSHIFT PLATE	1	
3	100103999	GEARSHIFT PLATE	1	
4	100203918-0004	GEARSHIFT SHAFT COMP	1	
5	100203926	RETURN SPRING	1	
6	100106402	WASHER 14×0.5×20	2	
7	100011096	CIRCLIP 14	1	
8	100050303-0001	GEARSHIFT LEVER COMP	1	
9	100011174-0006	BOLT M6×20	1	
10	100204027	GEARSHIFT SHAFT	1	
11	100103914	SHAFT , GEARSHIFT FORK	1	
12	100103895	RIGHT FORK, COUNTERSHAFT	1	
13	100103904	CENTER FORK, MAINSHAFT	1	
14	100103899	LEFT FORK, COUNTERSHAFT	1	
15	100100420-0002	BOLT M6×25	1	
16	100010886-0005	WASHER φ6	1	
17	100103943	STOPPING PLATE	1	
18	100032886	PIN 4×10	1	
19	100203840	GEARSHIFT DRUM	1	
20	100052781	SPRING ,LOCATING PLATE	1	
21	100059046	LOCATING PLATE ASSY	1	
22	100011174-0004	BOLT M6×20	1	



变速机构 GEARSHIFT MECHANISM

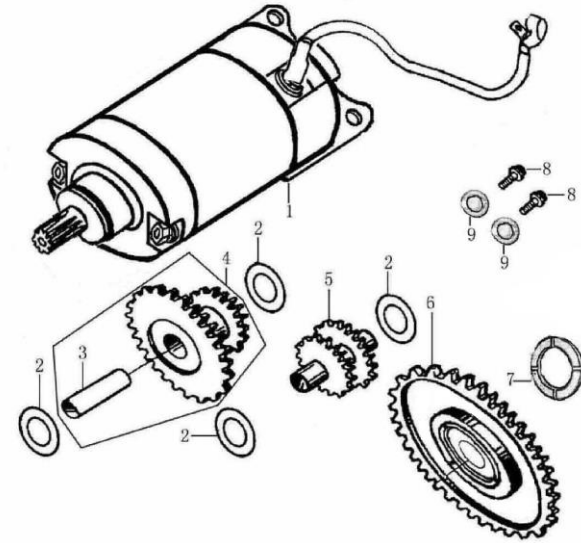
MAGNETO COMP				
NO.	(PART CODE)	(ENGLISH DESCRIPTION)	QTY	REMARK
1	82130-1008-0104	ROTOR ASSY, MAGNETO	1	
2	82120-1008-020043	STATOR ASSY, MAGNETO	1	
3	B057830005001620X	BOLT M5×16	2	
4	B057830005002520X	BOLT M5×25	3	
5	91197-1008-00000C	BOLT M8×18	3	
6	82130-1008-0101	ROTOR ASSY, MAGNETO	1	
7	21300-LA73-0000	ASSEMBLY, OVERRUNNING CLUTCH	1	



磁电机总成
MAGNETO COMP

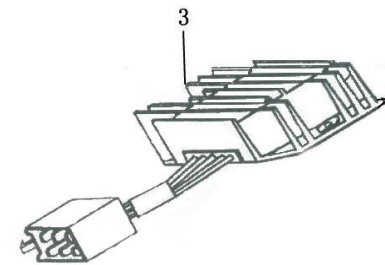
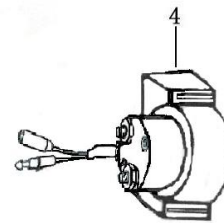
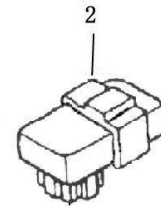
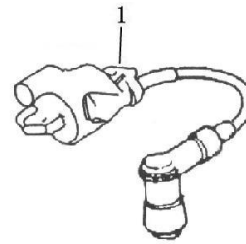
ELECTRIC STARTING MECHANISM

NO.	(PART CODE)	(ENGLISH DESCRIPTION)	QTY	REMARK
1	100104261-0011	STARTING MOTOR ASSY	1	
2	93301-51050518000	WASHER 10.5×0.5×18	4	
3	21402-1008-0100	SHAFT, REDUCTION	1	
4	100202662	GEAR, REDUCTION, 1	1	
5	21401-ME13-0000	GEAR, REDUCTION, 2	1	
6	100103269	PLATE GEAR ASSY	1	
7	21319-LE26-0000	WASHER 22×9.5×34	1	
8	B057890006002870X	BOLT M6×28	2	
9	82202-1E20-0000	WASHER	2	



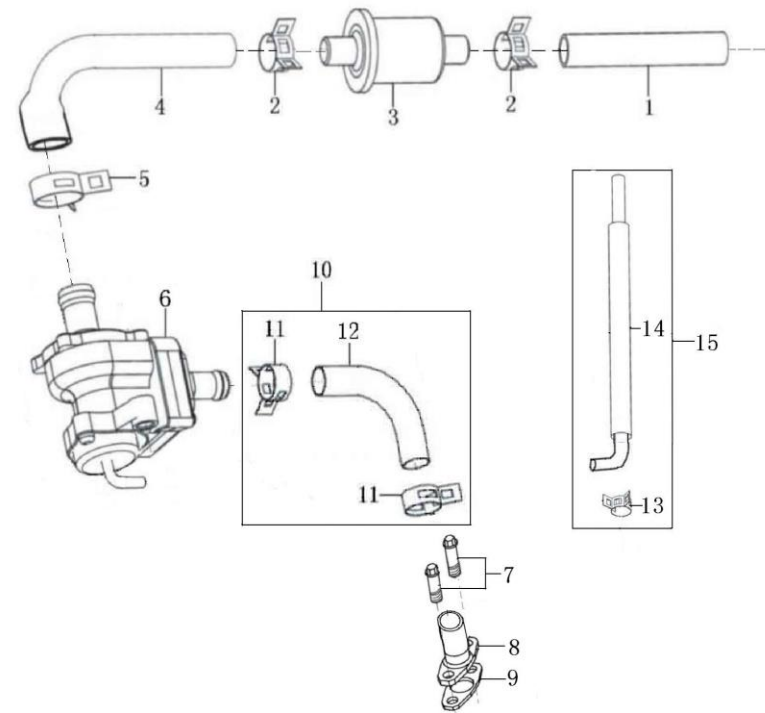
电启动机构
ELECTRIC STARTING MECHANISM

ELECTRIC				
NO.	(PART CODE)	(ENGLISH DESCRIPTION)	QTY	REMARK
1	81100-1008-000050	IGNITION COIL	1	
2	81200-ME05-0000	C. D. I	1	
3	83100-1008-010020	RECTIFIER	1	
4	82290-1049-000016	RELAY	1	



电 器 件 ELECTRIC

EXHAUST GAS RECIRCULATION SYSTEM				
NO.	(PART CODE)	(ENGLISH DESCRIPTION)	QTY	REMARK
1	100105392	Connecting Pipe	1	
2	100105407	Hoop	2	
3	100202348-0002	Sec. Air Box Valve	1	
4	100101029	Connecting Pipe	1	
5	100105404	Hoop	1	
6	100103126-1365	Gas Pump	1	
7	100055589-0006	Bolt, M6×16	2	
8	100062382	Iron Pipe	1	
9	100104640	Paper Gasket	1	
10	100202024-0124	Rubber Pipe	1	
11	100204846-1516	Clamp	2	
12	100103126-1347	Rubber Pipe	1	
13	100202024-0139	Clamp	1	
14	100105474	Rubber Pipe	1	
15	100202024-0129	Rubber Pipe	1	



环保装置
ENVIRONMENT PROTECT MECHANISM

